



Industrial

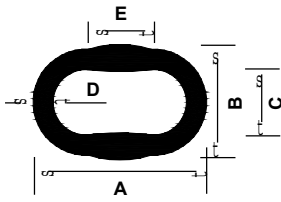


Contents

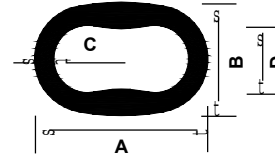
Click on the desired sub-segment to go directly to the page

Industrial	catalogue pg. nos	pdf pg. nos
Ferrules -----	197	3
Hydraulic pump -----	198	4
Pump body -----	199	5
Actuators -----	201	7
Cylinders -----	202	8
Elevators -----	204	10
Textile machinery -----	205	11
Jute machinery -----	210	16
Vulcanizing machine -----	211	17
Miscellaneous -----	212	18

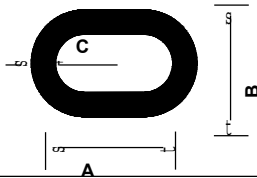
Ferrules



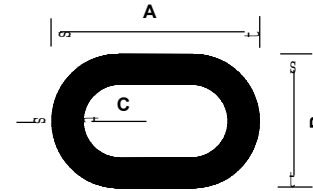
Sec	A	B	C	D	E	Kg/m
9812	49.50	33.00	16.50	6.00	19.00	2.014
9785	55.50	37.00	18.50	6.50	21.50	2.484
9821	73.00	49.00	25.00	9.00	27.00	4.427
9890	98.60	65.42	34.82	11.50	36.00	7.636



Sec	A	B	C	D	Kg/m
9790	49.00	32.50	6.00	16.50	1.974
9815	56.00	37.50	7.00	18.50	2.681
9848	62.00	40.50	7.00	21.50	2.990



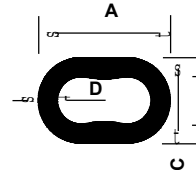
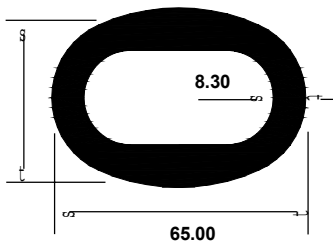
Sec	A	B	C	Kg/m
9660	15.10	9.70	2.23	0.206
9577	19.30	12.40	2.84	0.336
9586	29.72	19.11	4.38	0.798
9574	35.40	22.69	5.13	1.116
9573	41.61	26.80	6.15	1.569



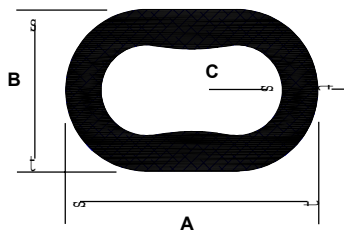
Sec	A	B	C	Kg/m
8639	26.50	17.00	4.00	0.631
9861	31.80	21.00	5.00	0.970
8742	28.00	12.00	1.25	0.222
8948	32.00	18.00	1.00	0.220
9417	20.55	12.42	1.65	0.223

n 9800

3.665 Kg/m



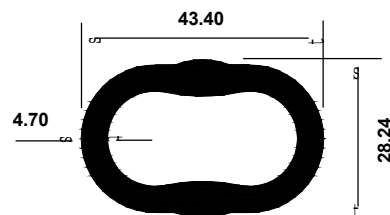
Sec	A	B	C	D	Kg/m
9607	48.00	31.00	17.00	7.00	2.110
9538	59.60	38.40	19.40	8.60	3.320
9566	78.20	50.20	25.52	11.10	5.450
9579	90.00	58.00	29.49	13.00	7.336
9567	96.00	62.00	31.14	14.00	8.430
9580	108.00	70.00	38.00	16.00	10.830
9891	108.00	70.00	34.00	15.00	10.261
9652	120.00	78.00	37.84	18.00	13.530
9817	126.00	44.00	39.54	19.00	14.986
9818	132.00	86.00	41.24	20.00	16.519
9819	138.00	90.00	42.90	21.00	18.129
9802	138.00	90.00	52.00	16.00	14.630



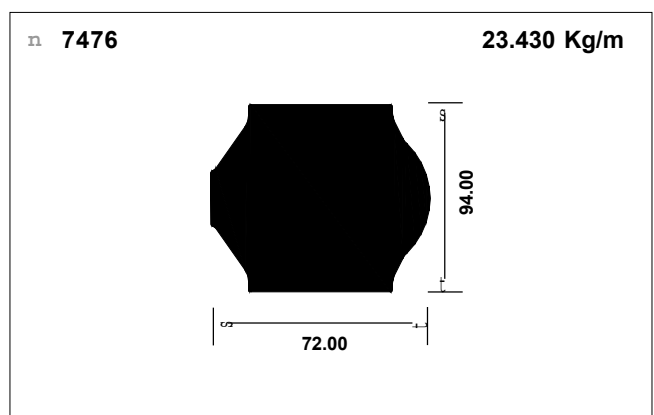
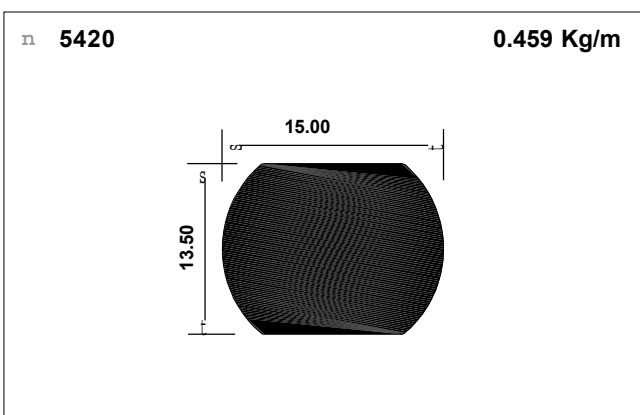
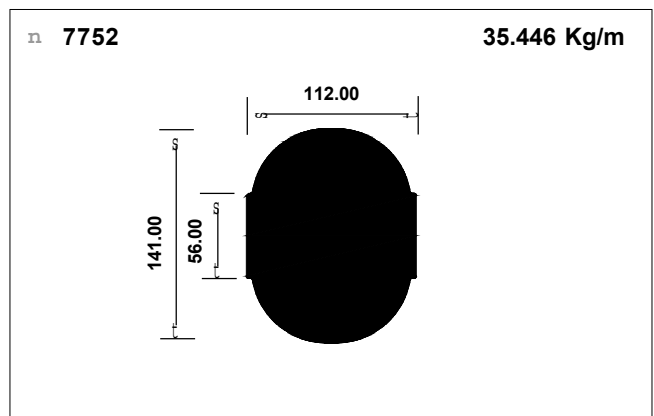
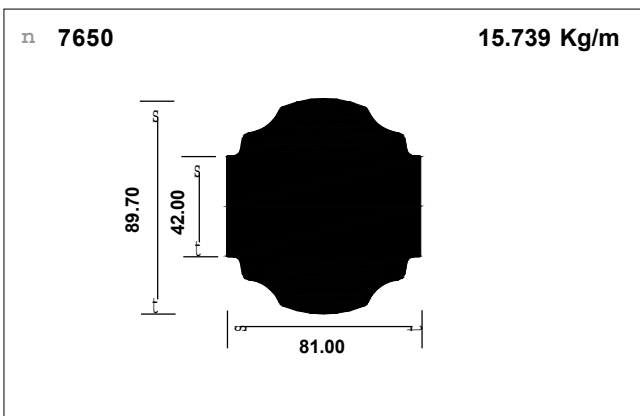
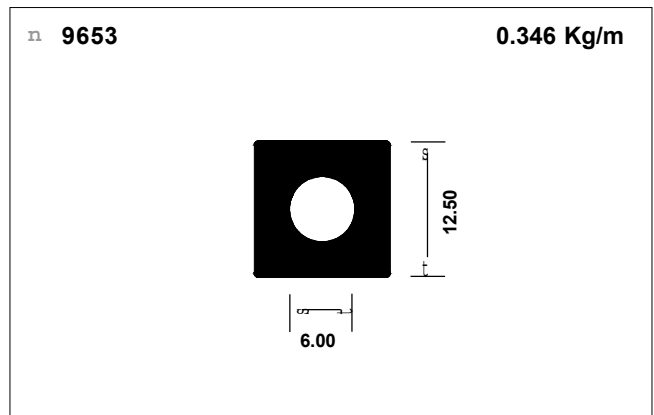
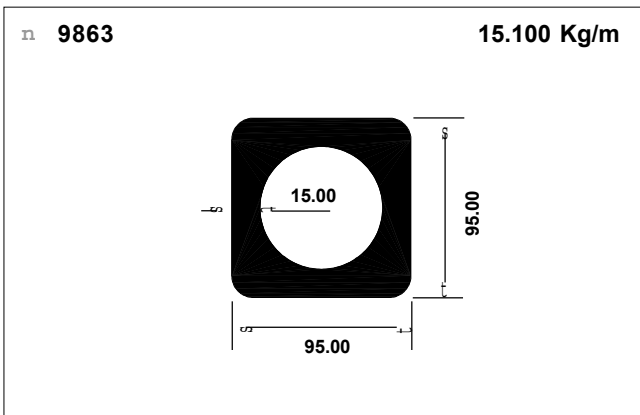
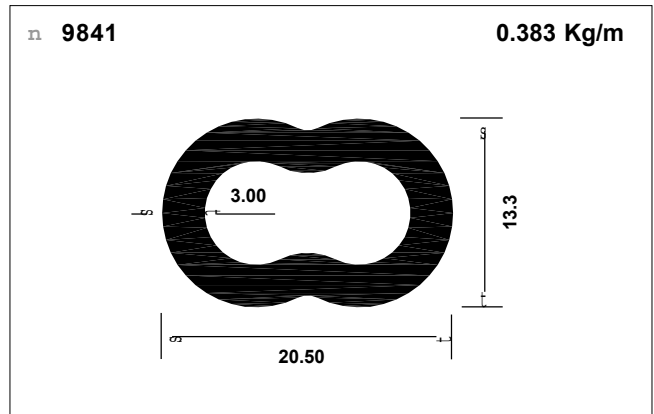
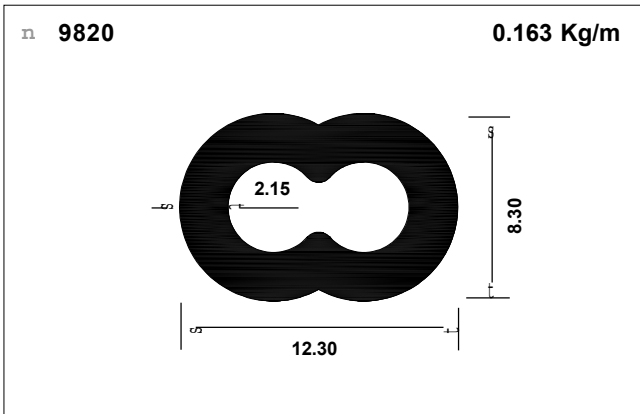
Sec	A	B	C	Kg/m
9578	72.40	46.40	10.20	4.660
9840	152.50	100.60	19.25	19.163

n 8738

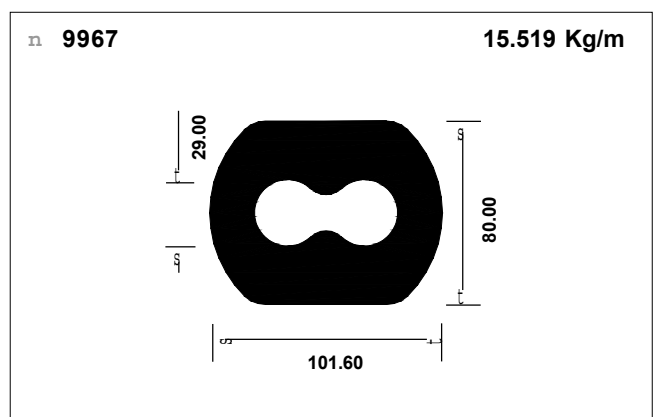
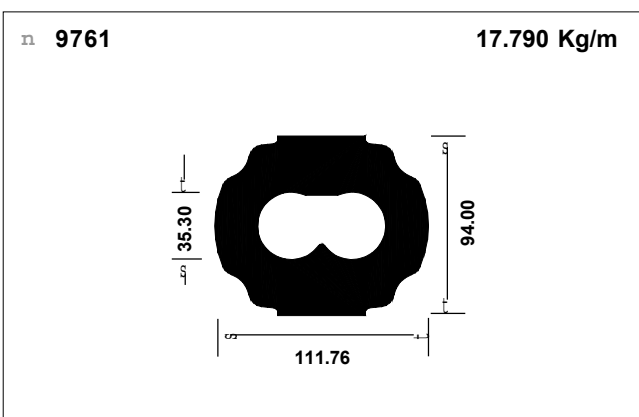
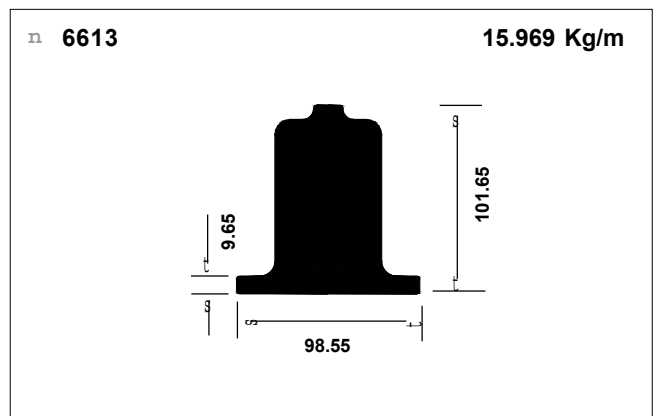
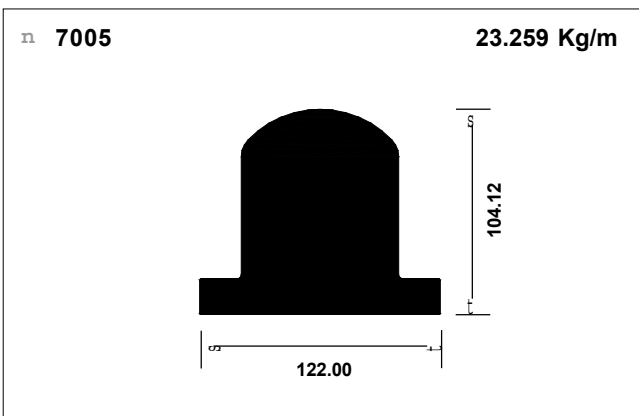
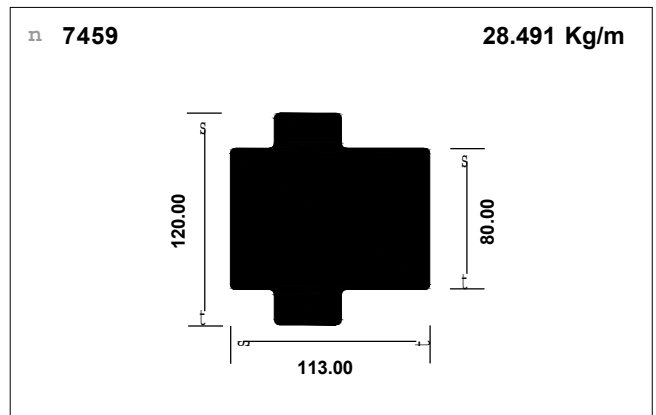
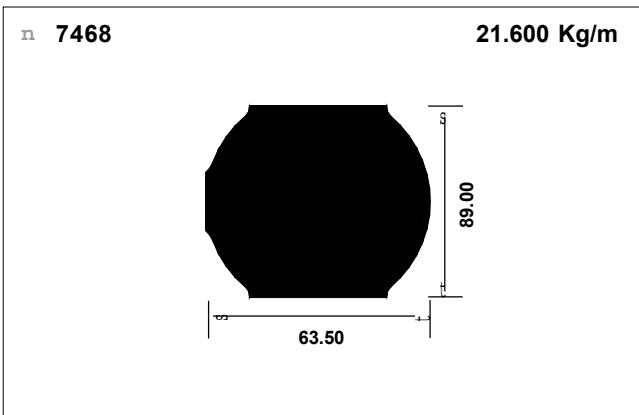
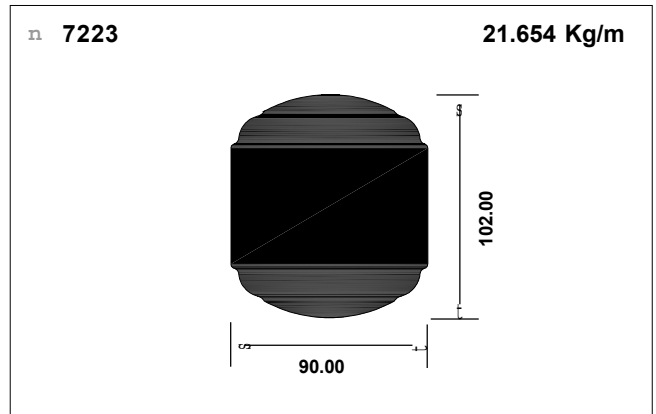
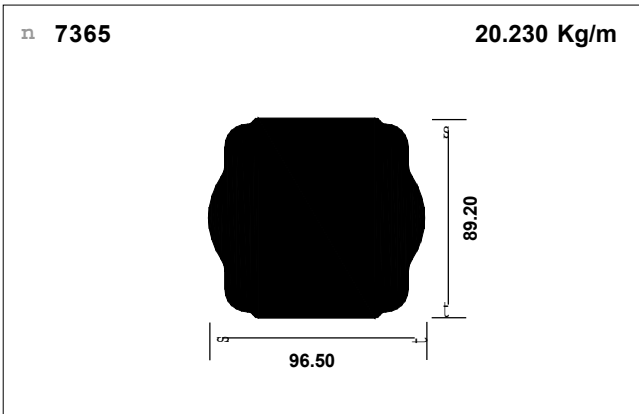
1.379 Kg/m



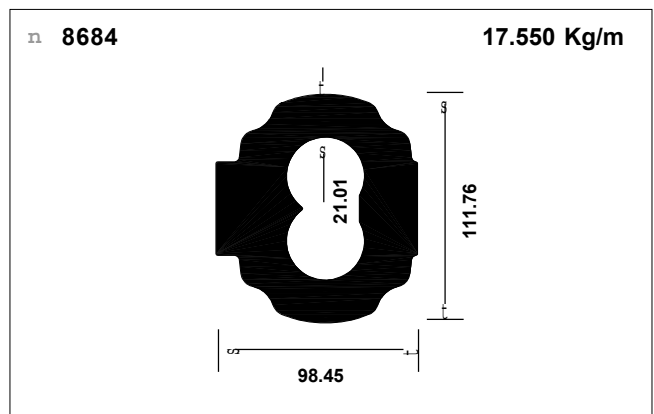
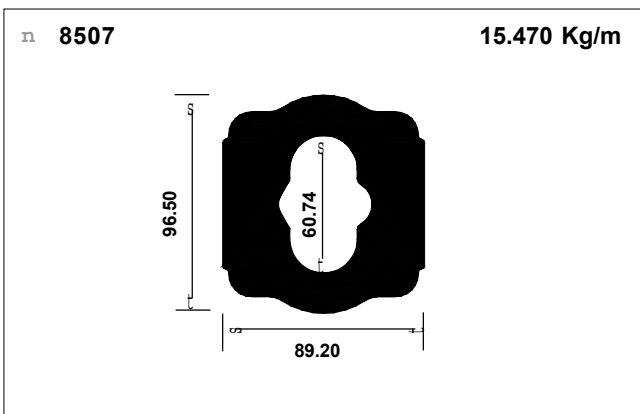
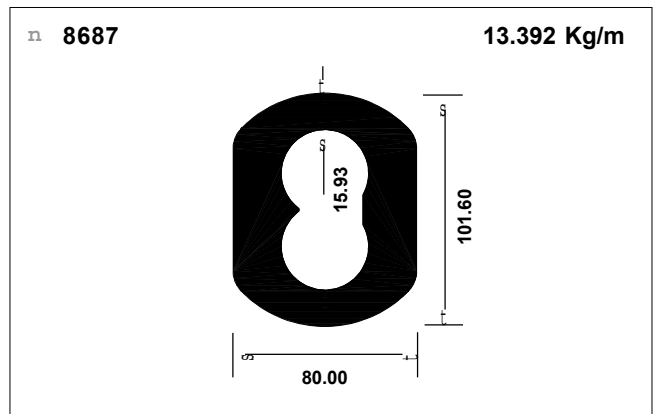
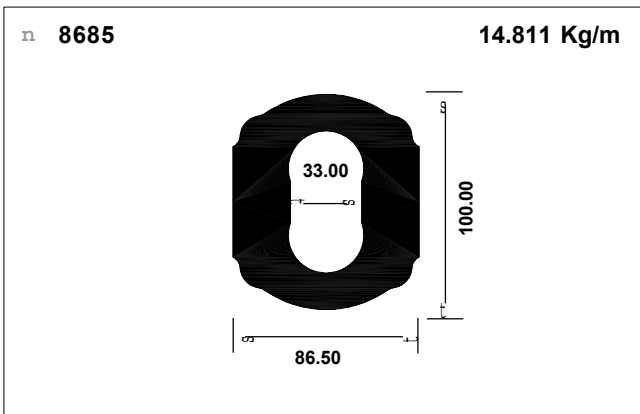
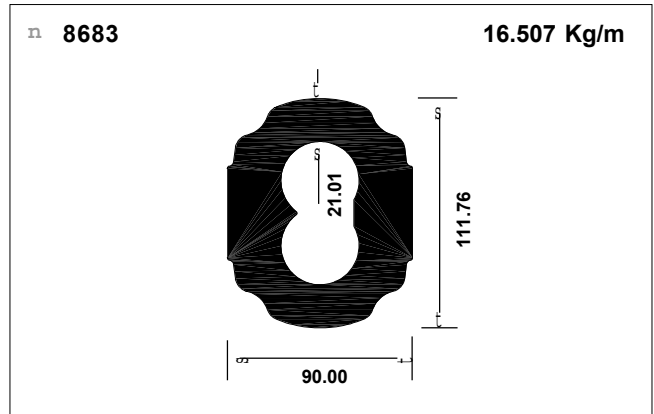
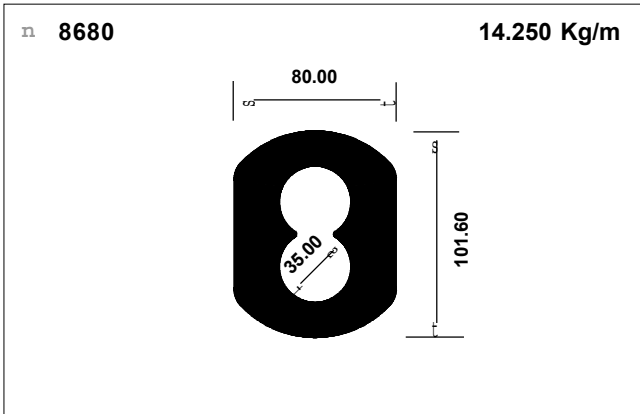
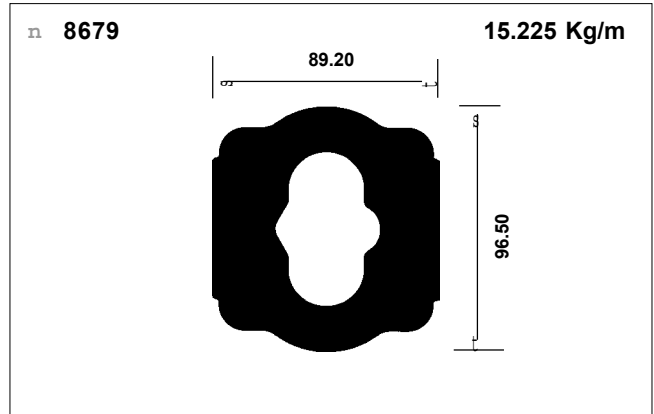
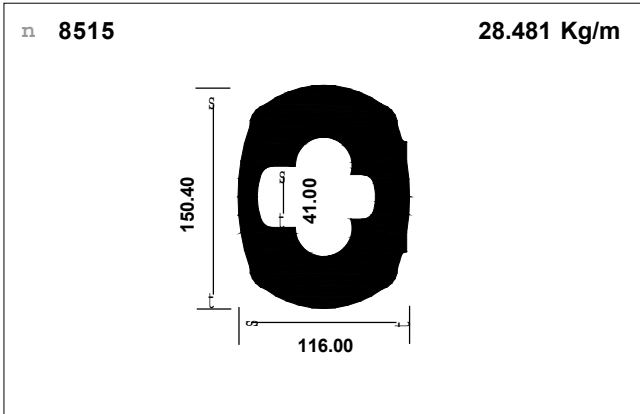
Ferrules & Hydraulic pump



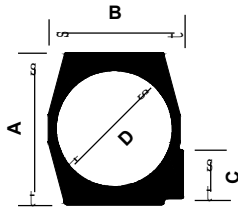
Pump body



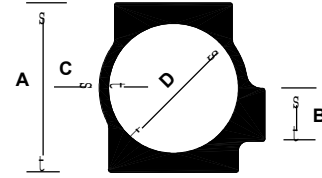
Pump body



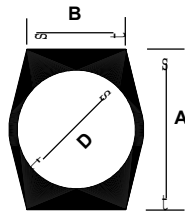
Actuators



Sec	A	B	C	D	Kg/m
8634	140.00	122.00	19.50	107.00	18.375
8657	150.00	142.00	40.00	126.50	17.471



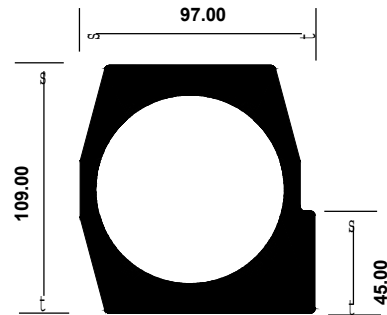
Sec	A	B	C	D	Kg/m
8574	143.80	45.00	8.00	110.00	20.213
8575	154.30	45.00	8.00	120.00	20.687



Sec	A	B	D	Kg/m
8553	144.00	89.00	106.00	17.610
8750	202.00	109.00	155.00	28.500

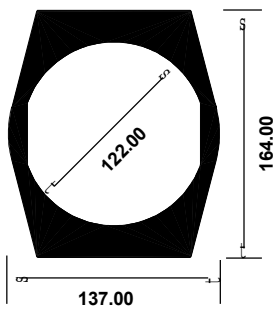
n 8633

12.808 Kg/m



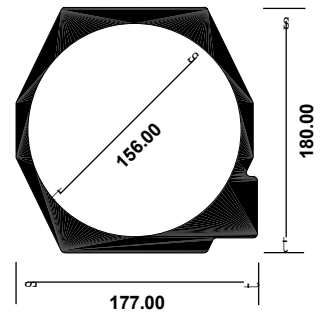
n 8547

22.595 Kg/m



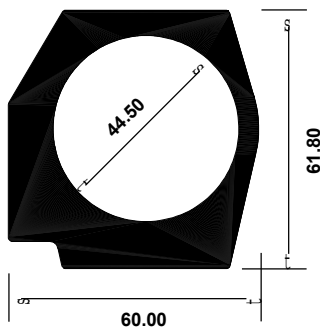
n 8658

22.244 Kg/m



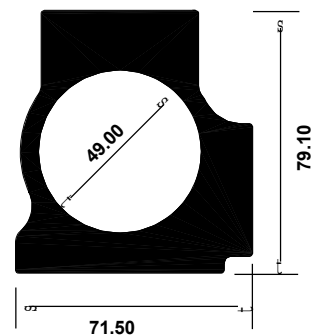
n 8555

4.675 Kg/m

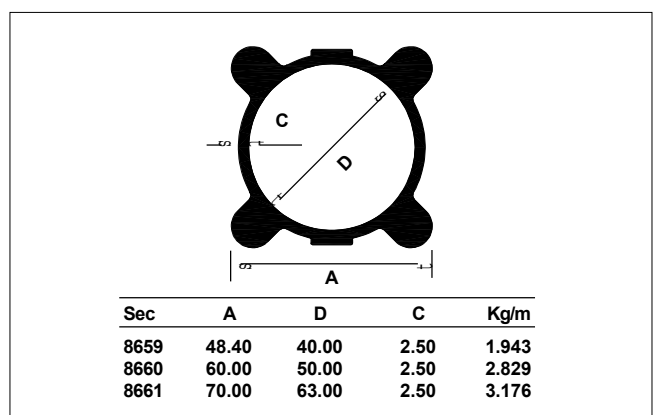
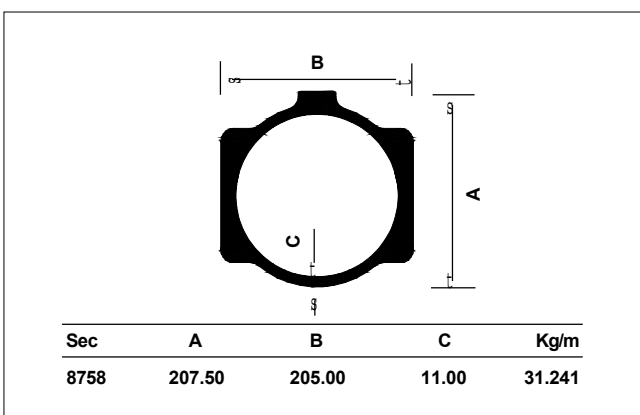
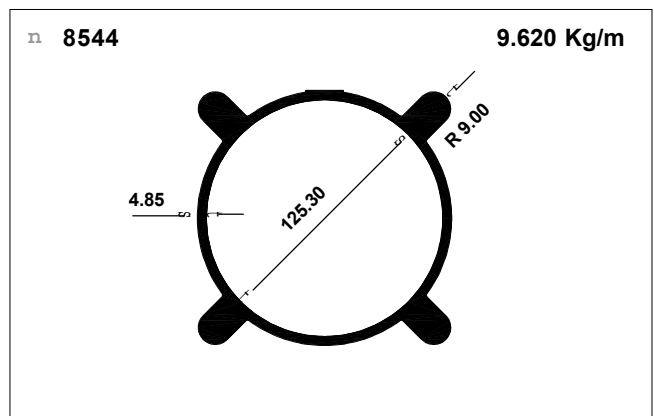
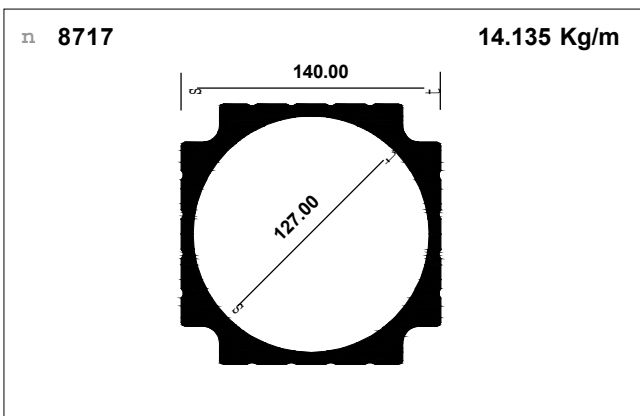
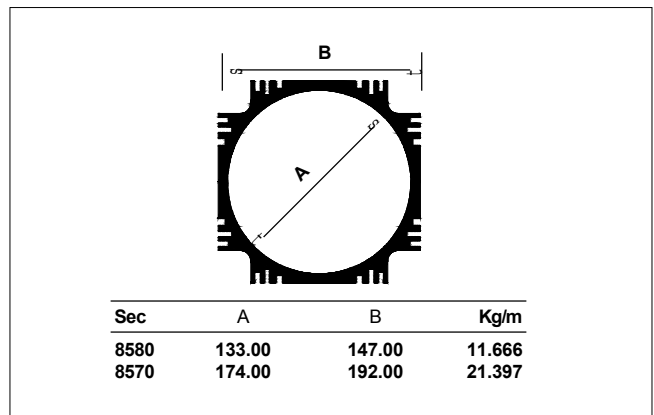
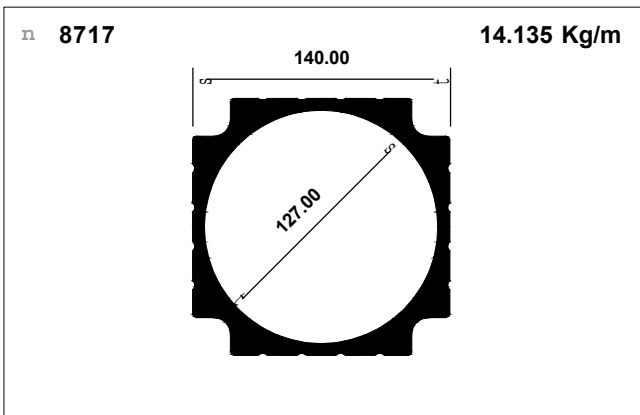
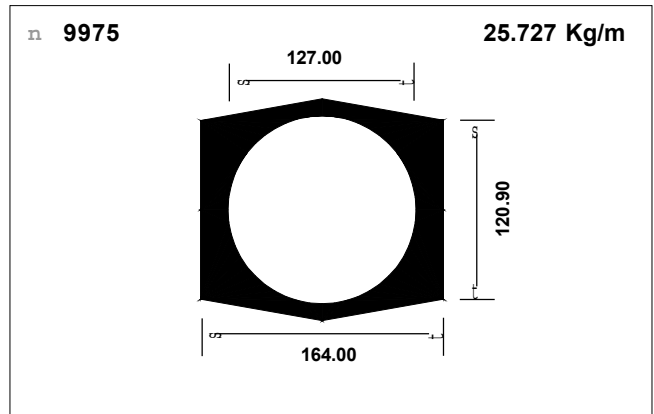
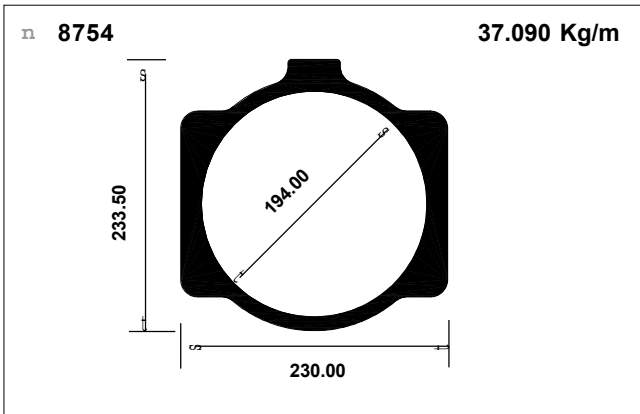


n 8573

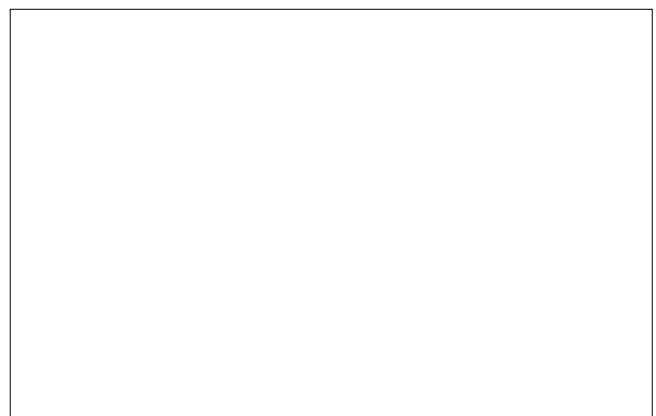
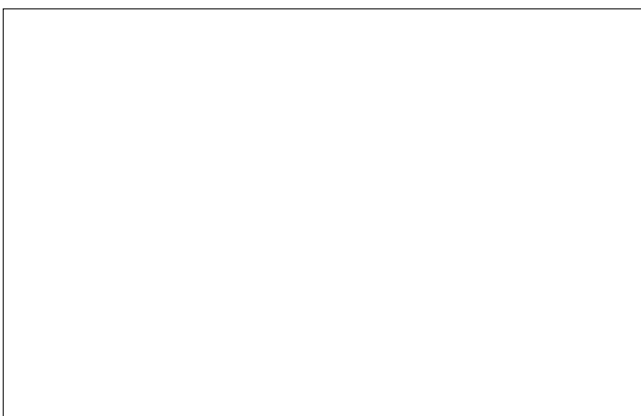
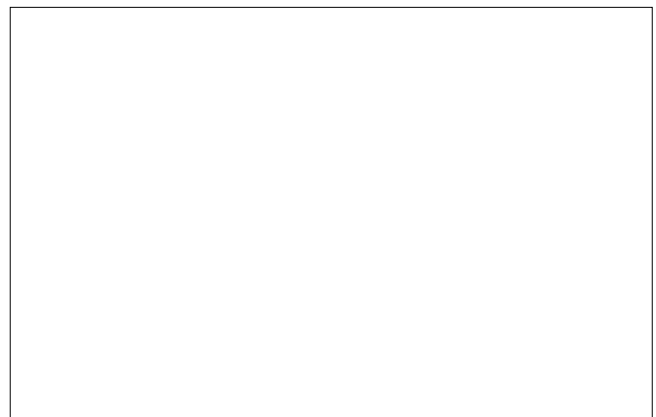
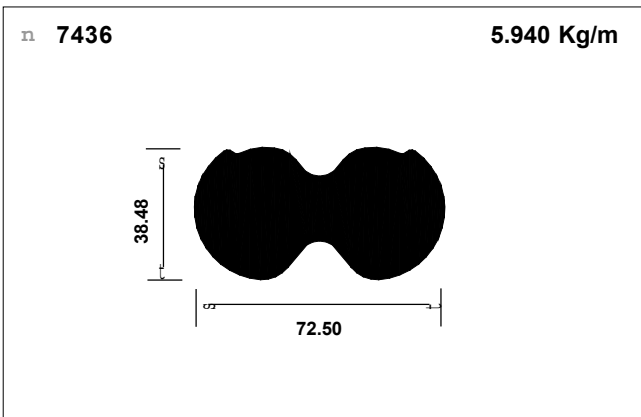
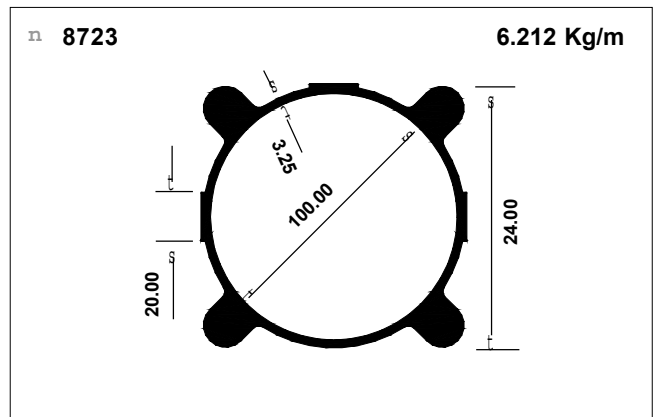
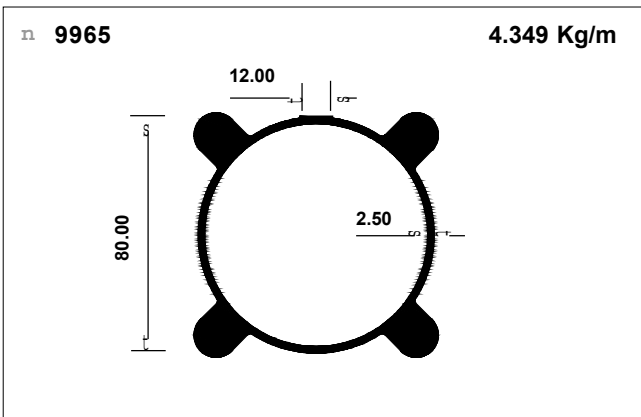
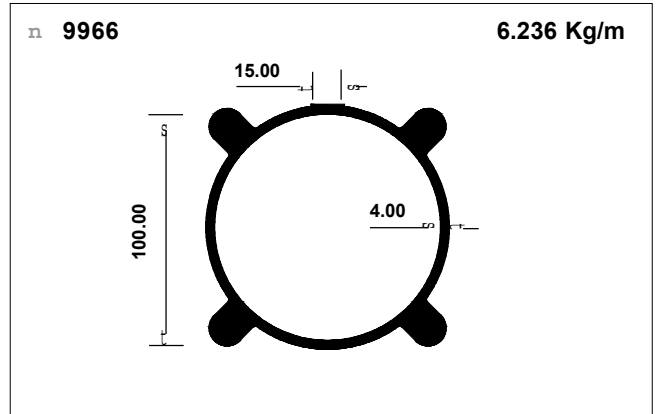
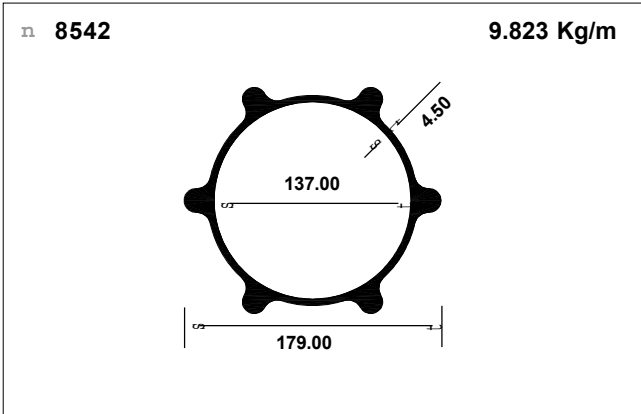
7.779 Kg/m



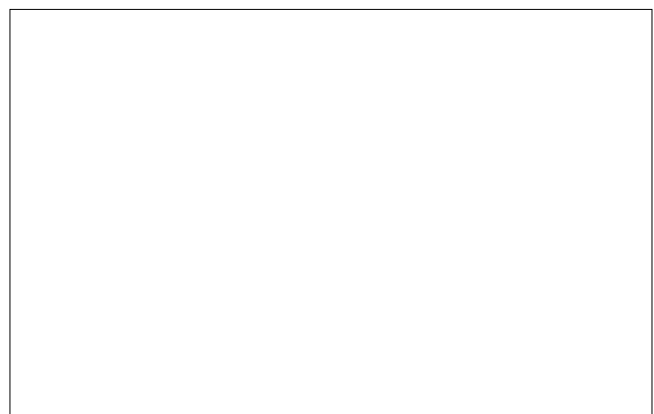
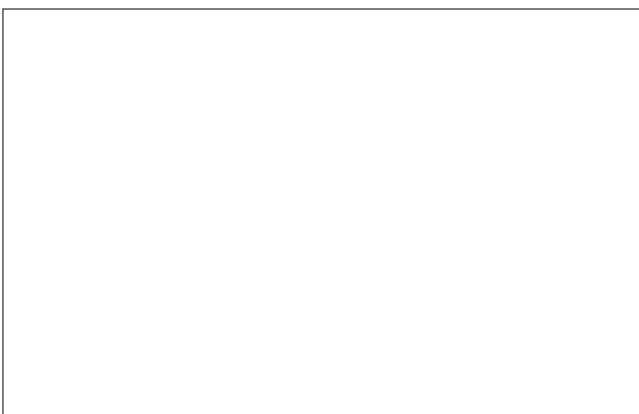
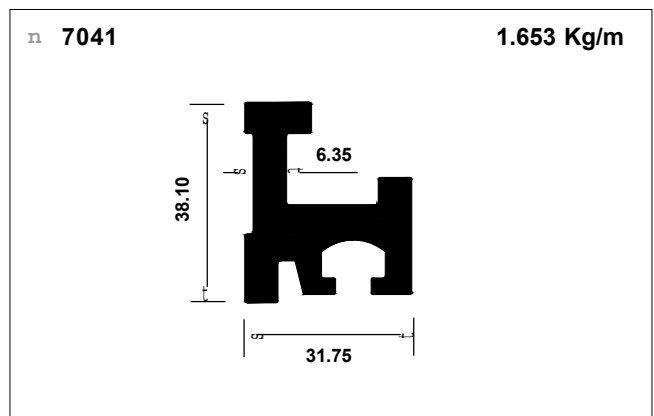
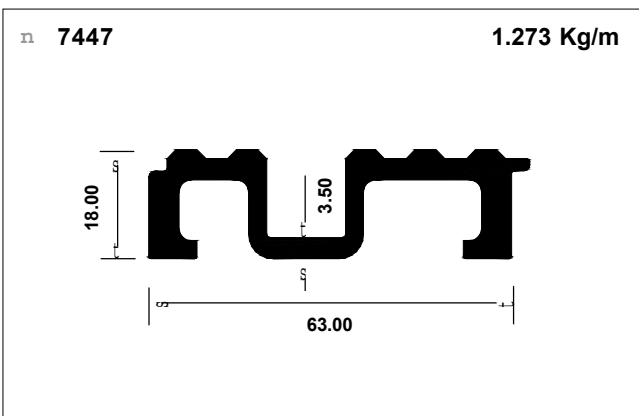
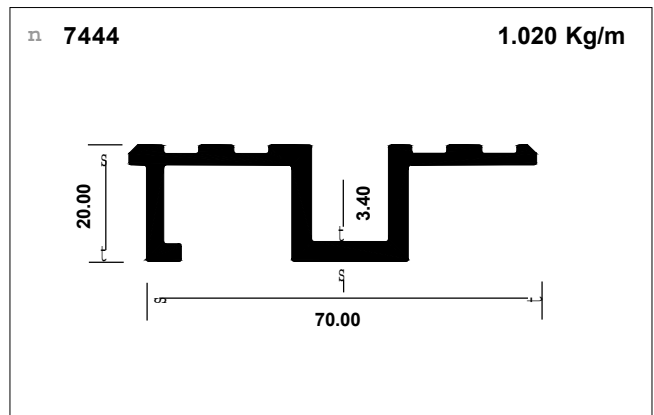
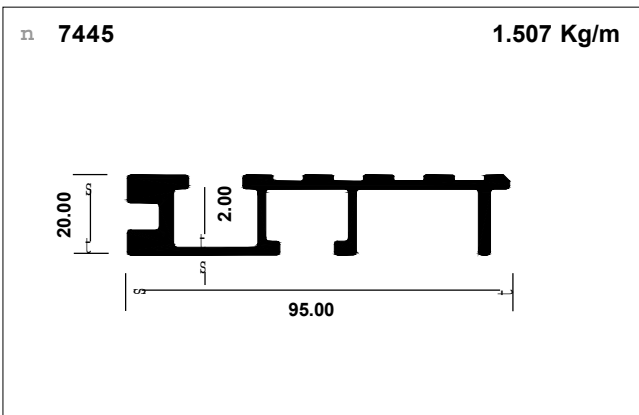
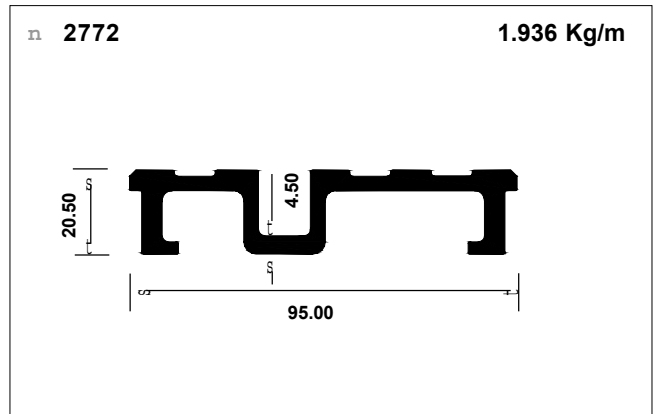
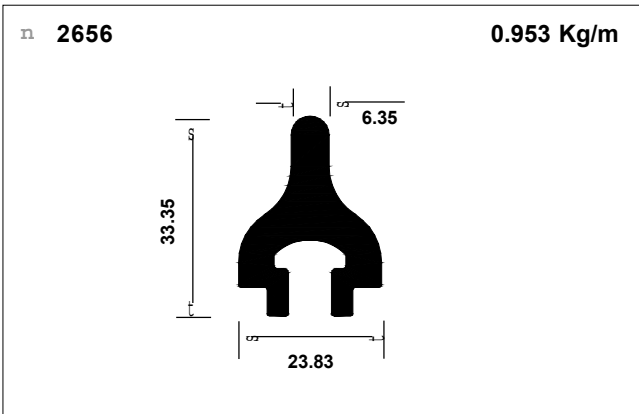
Pneumatics - Actuators & Cylinders



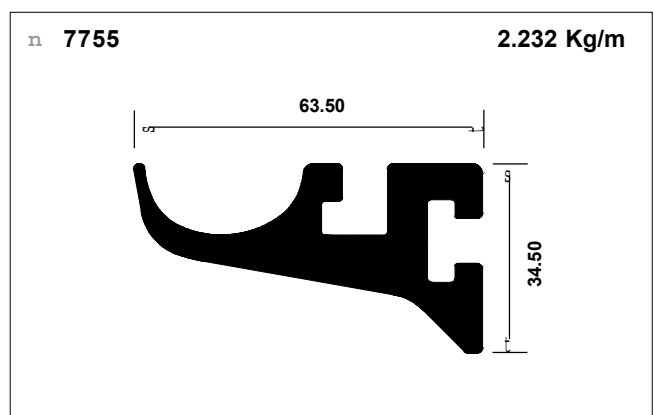
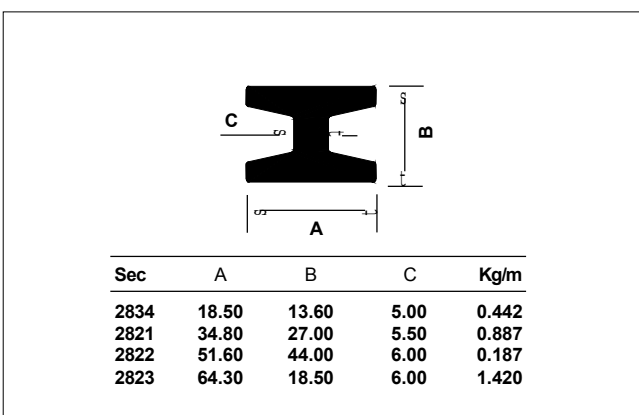
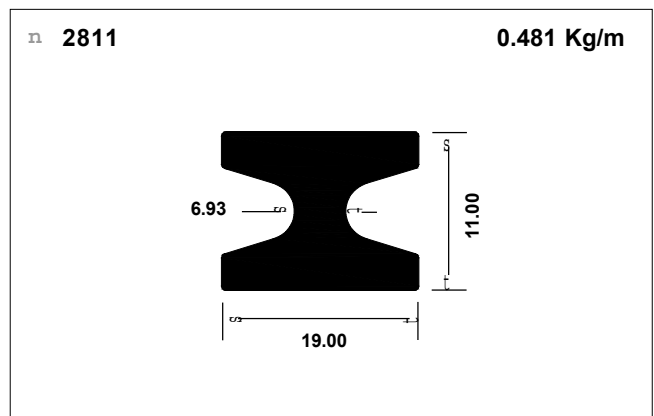
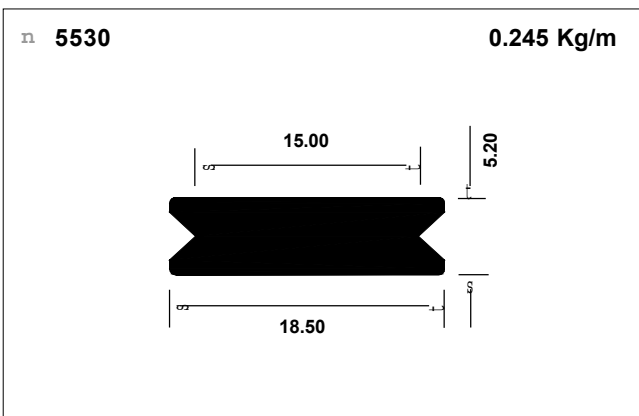
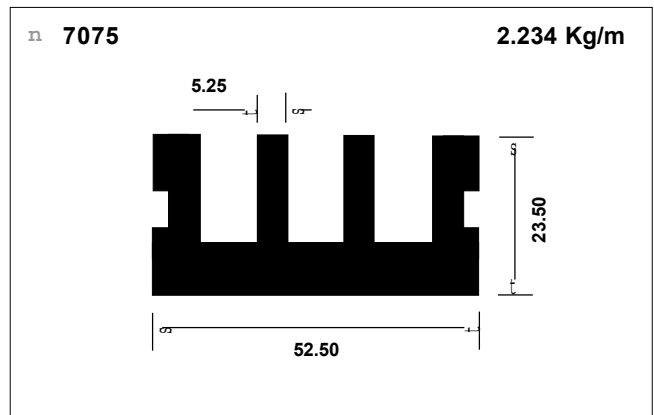
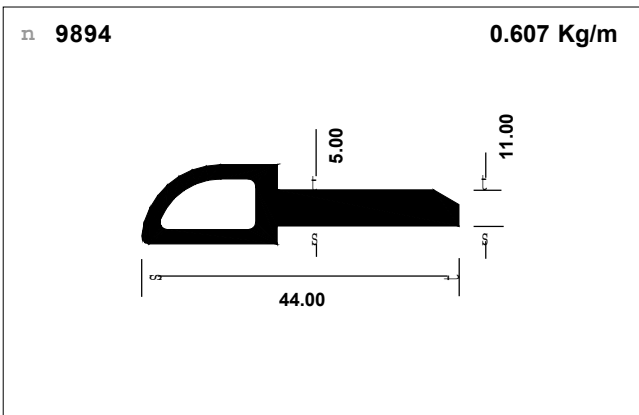
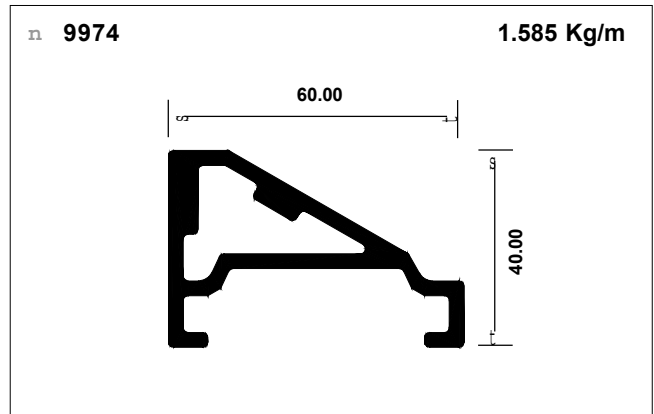
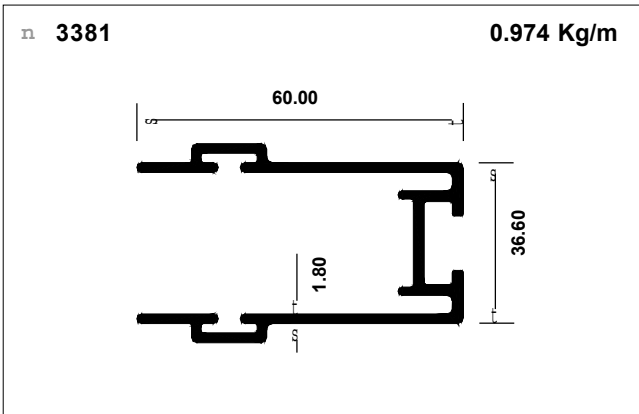
Pneumatics - Cylinders



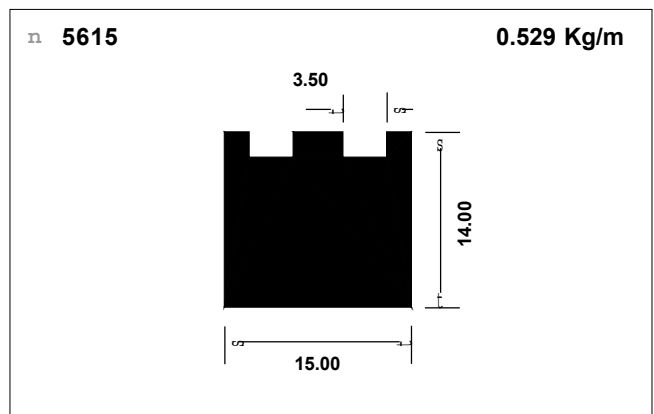
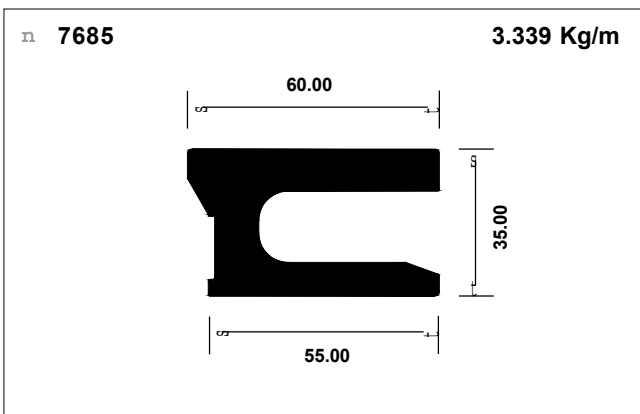
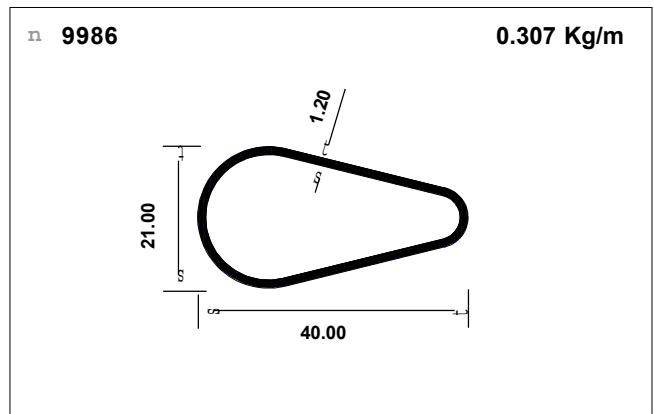
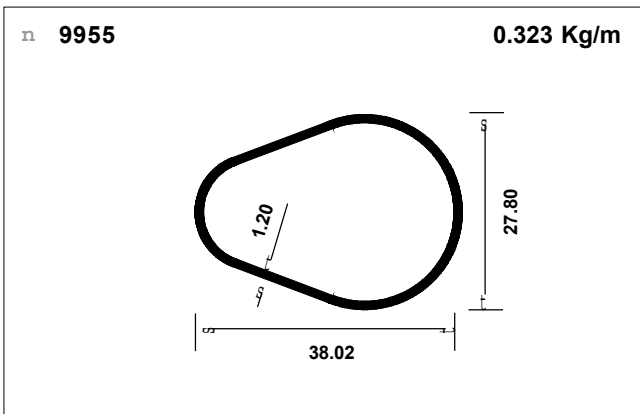
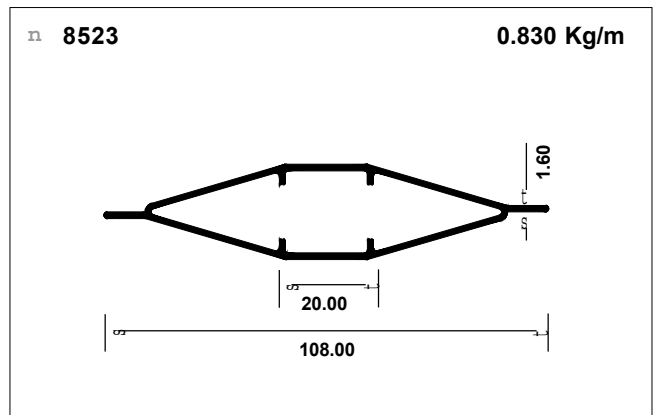
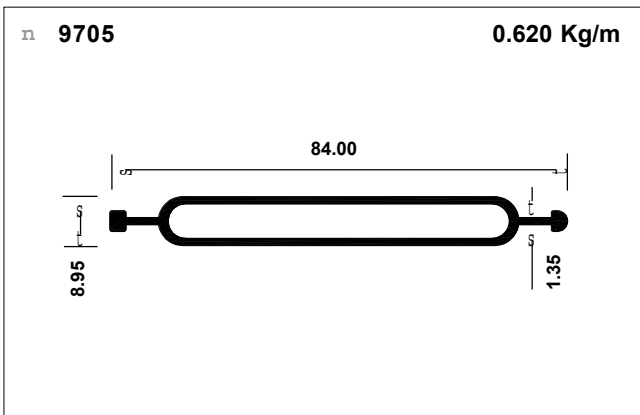
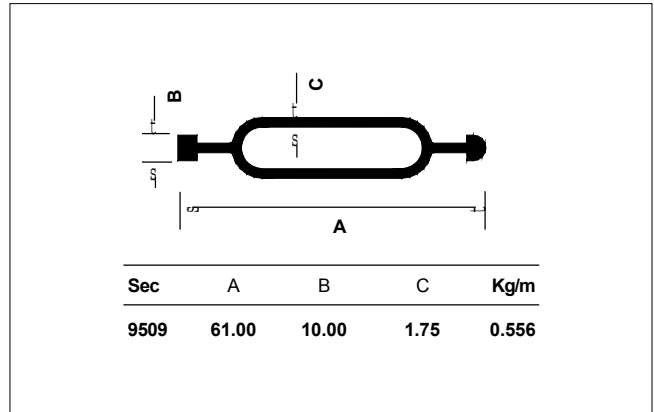
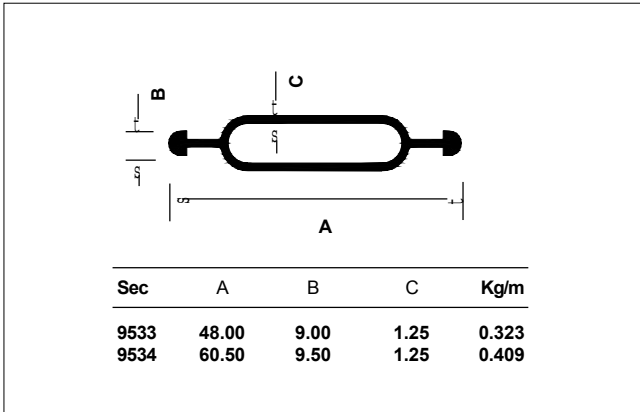
Elevators



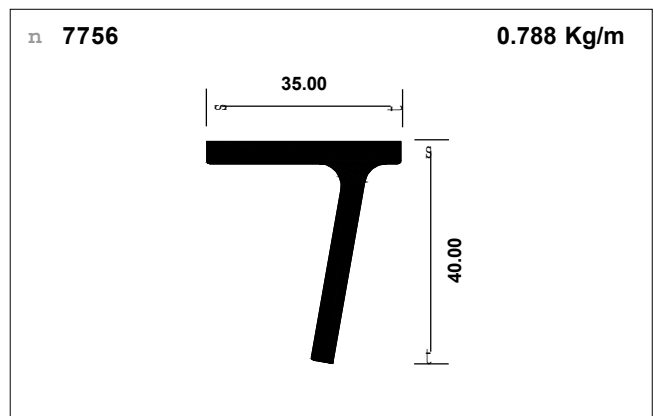
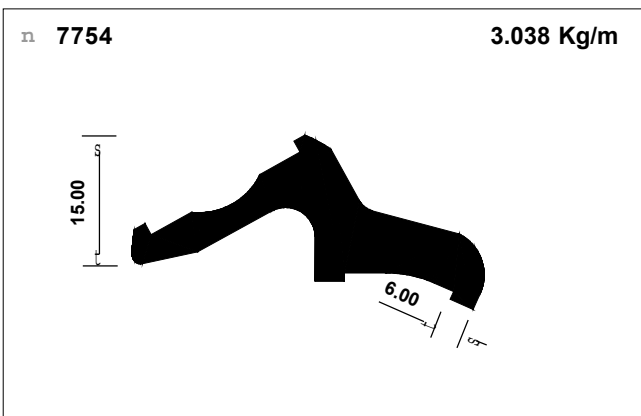
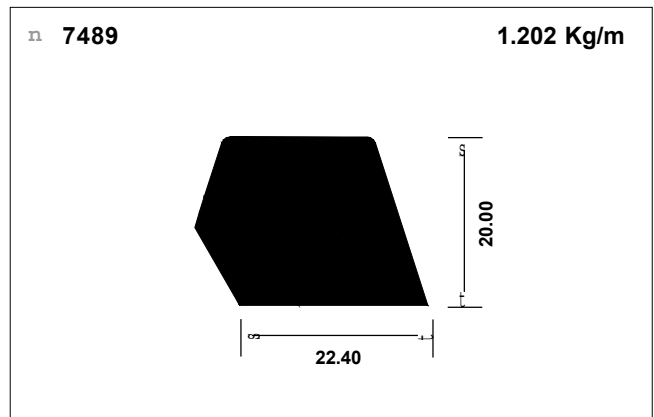
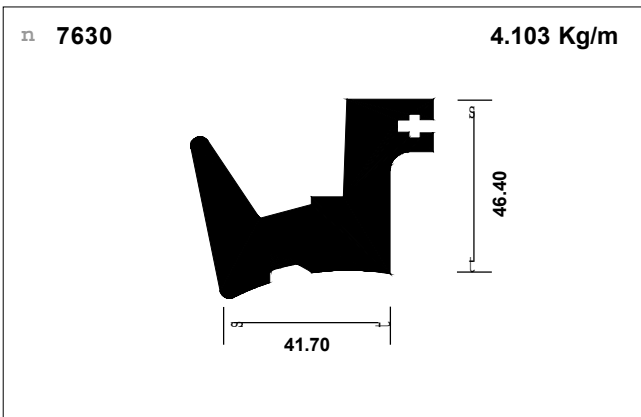
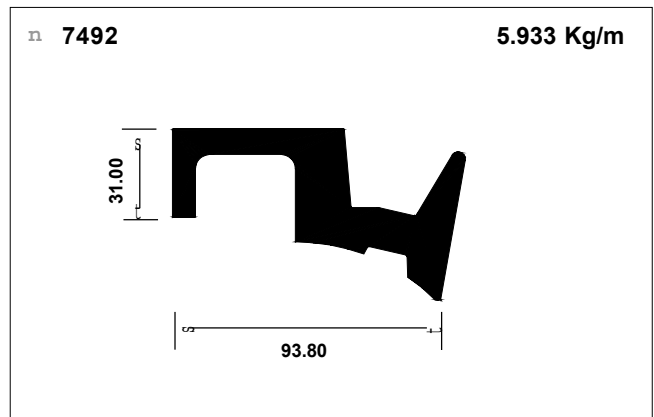
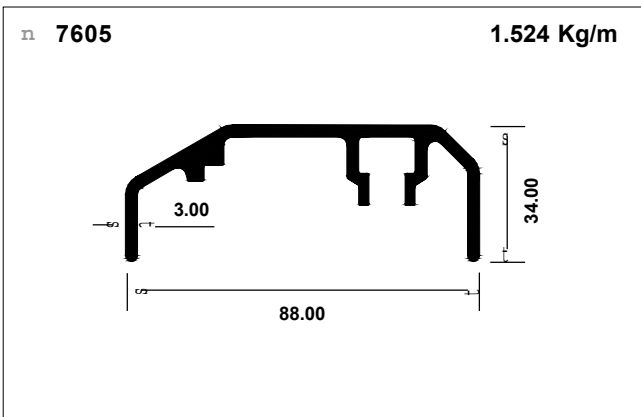
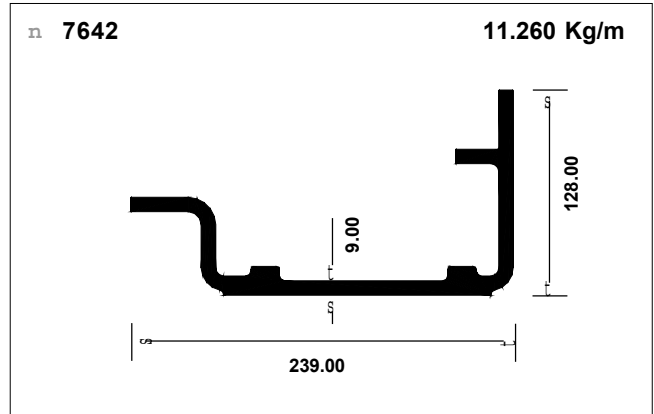
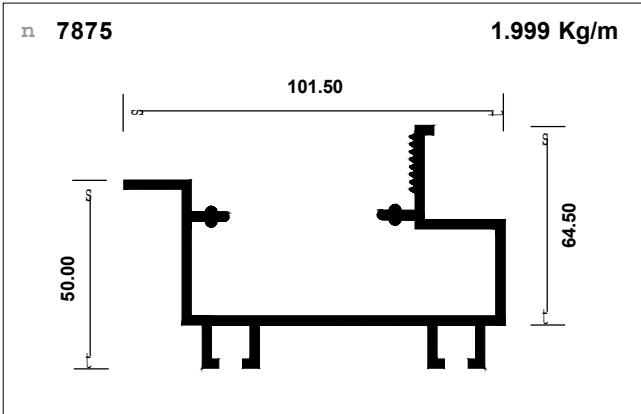
Textile machinery



Textile machinery



Textile machinery



Textile machinery

Sec	A	B	Kg/m
9922	80.00	23.50	10.438
9977	120.00	94.00	14.050
9976	156.00	130.00	10.270

Sec	A	B	C	Kg/m
9978	150.00	4.00	6.50	6.452

Sec	A	C	D	E	Kg/m
8698	165.00	4.00	155.00	5.00	6.090
8748	80.00	4.00	68.00	6.00	3.126

n 8673 8.057 Kg/m

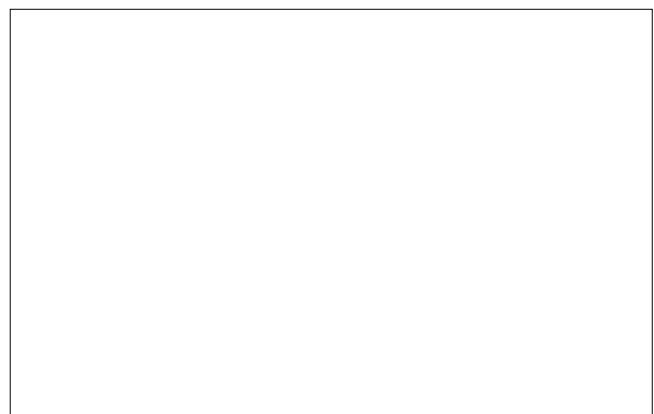
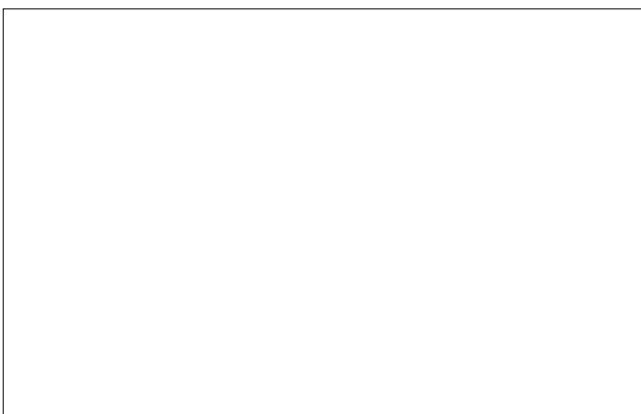
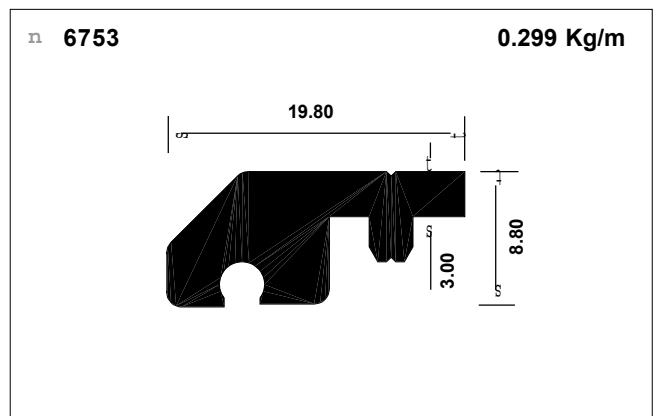
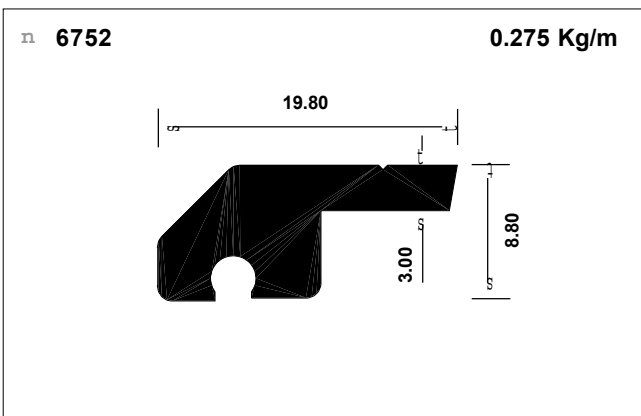
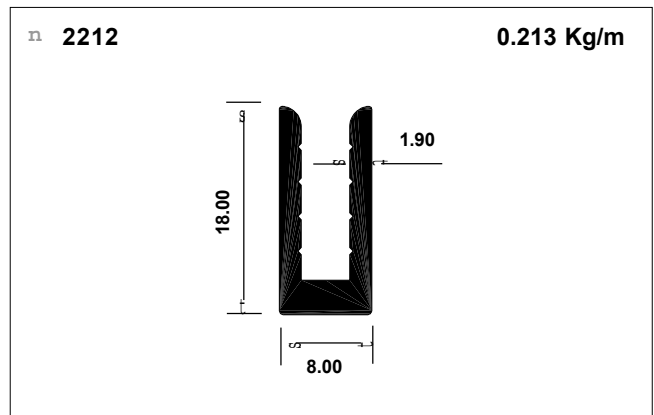
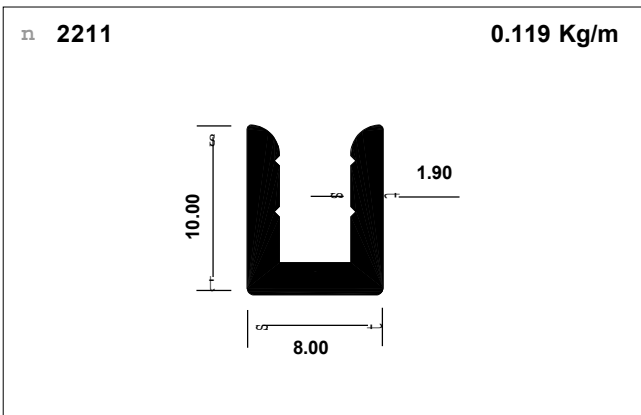
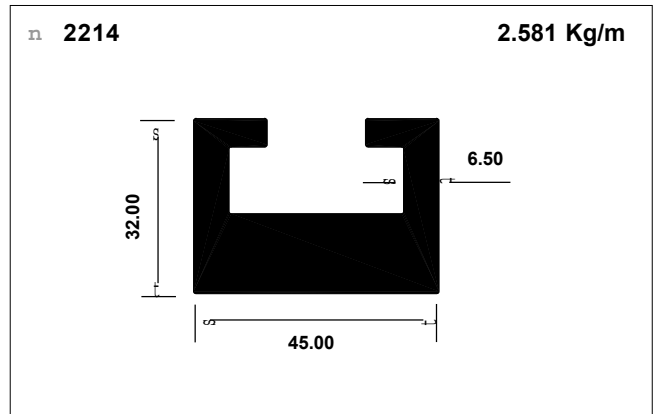
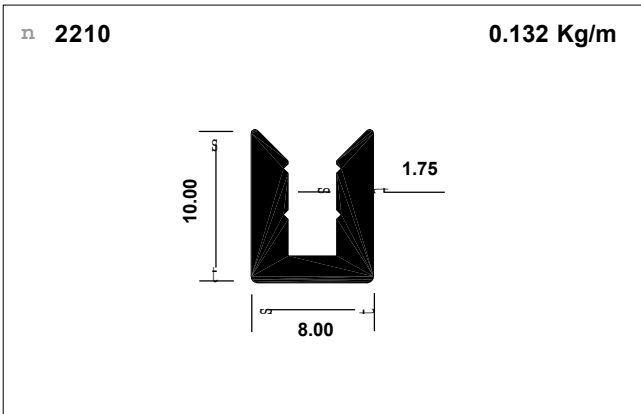
n 8745 1.099 Kg/m

n 8611 1.445 Kg/m

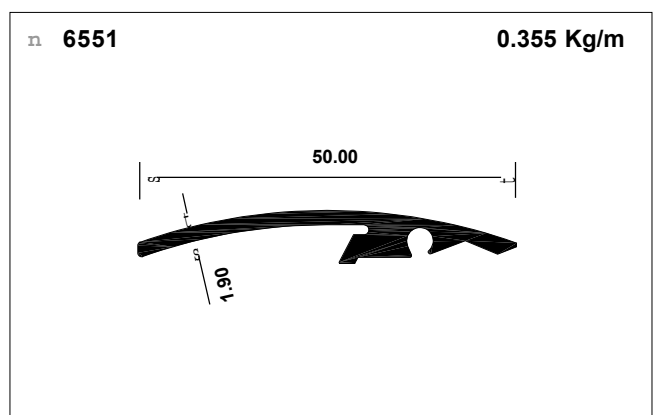
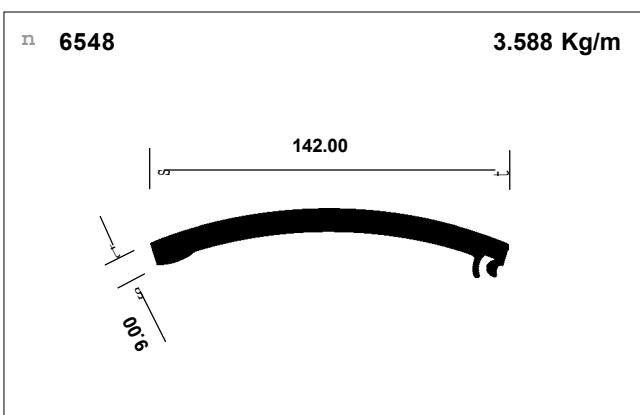
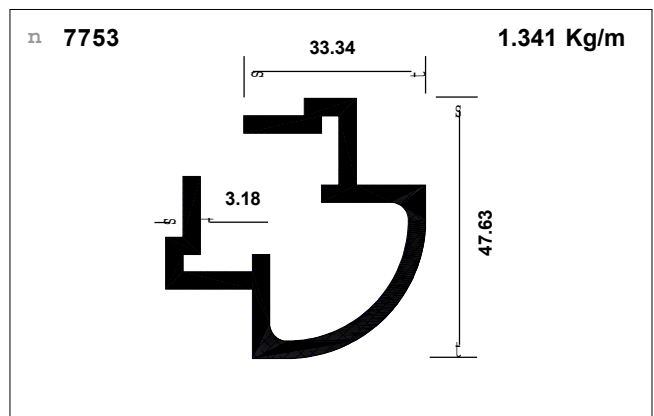
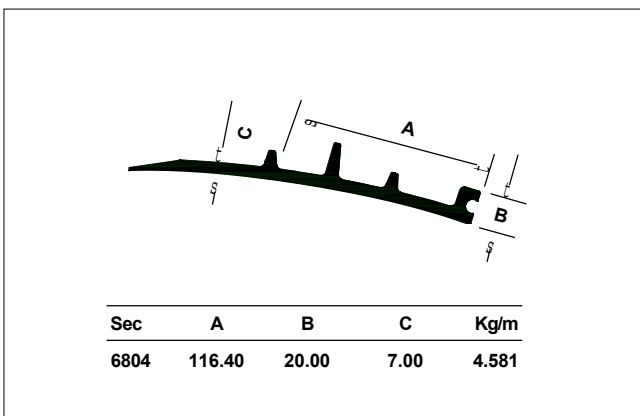
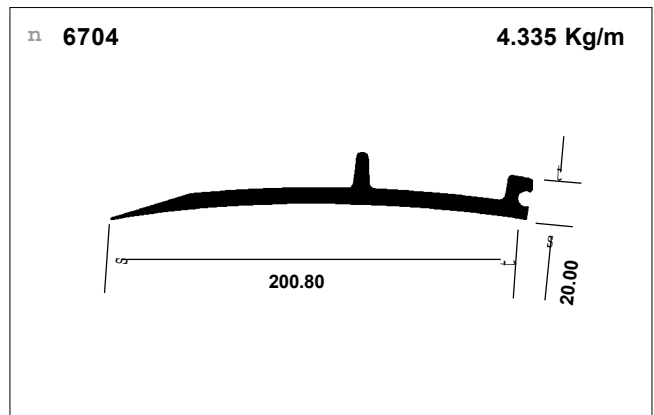
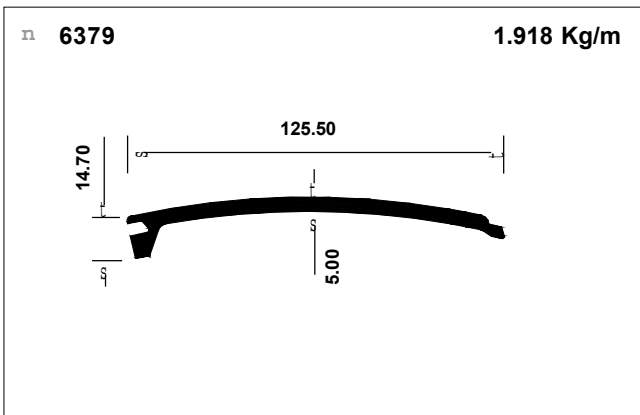
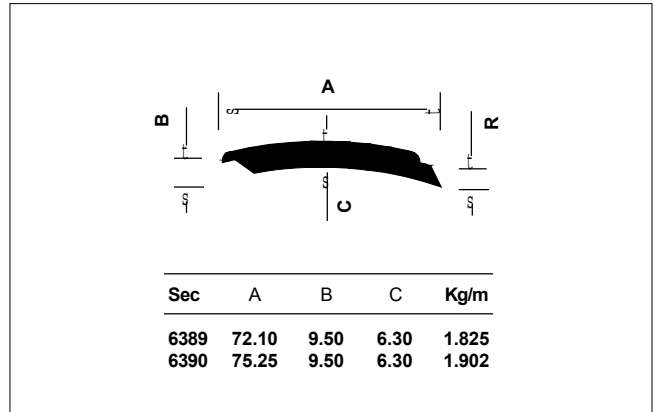
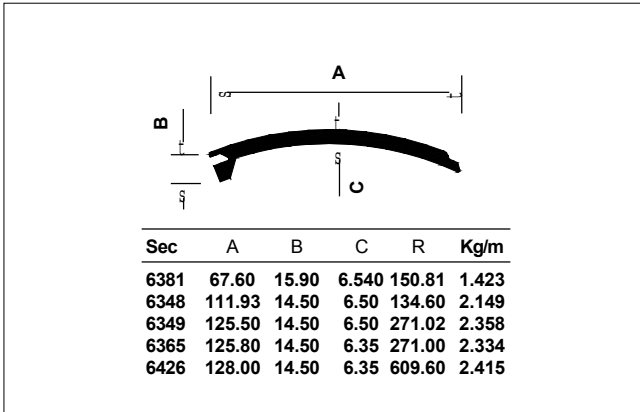
n 7691 3.887 Kg/m

n 6558 13.415 Kg/m

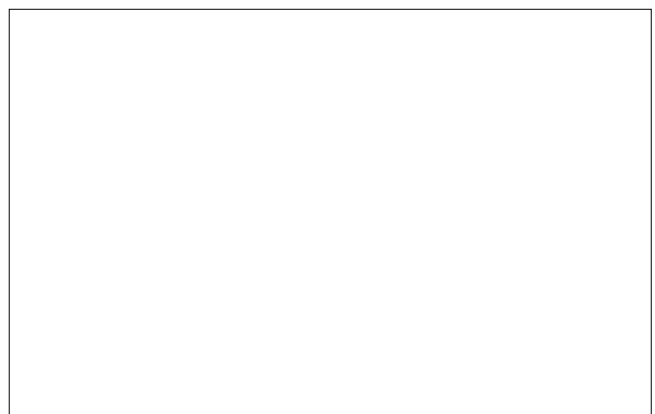
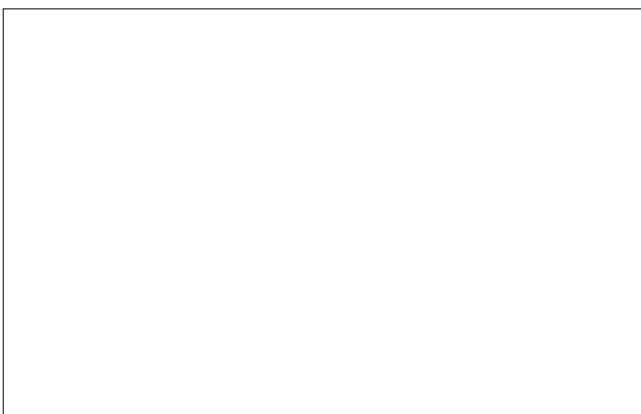
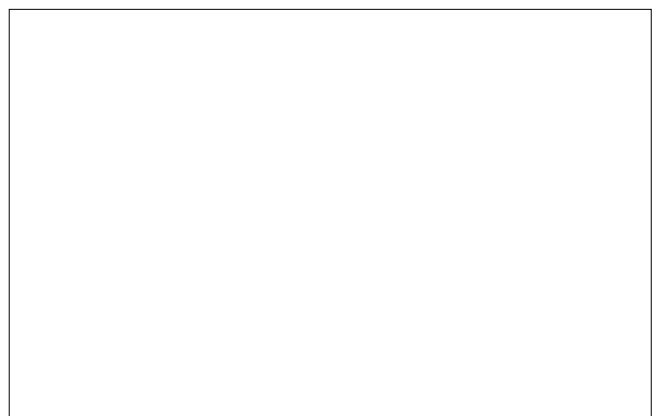
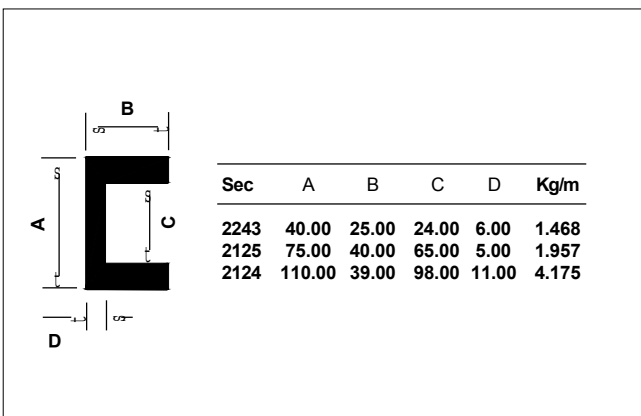
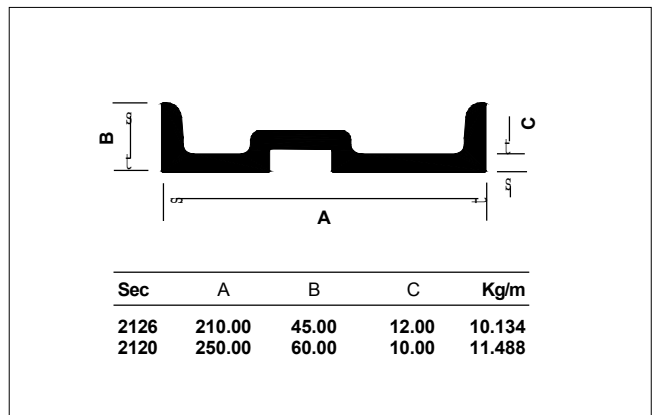
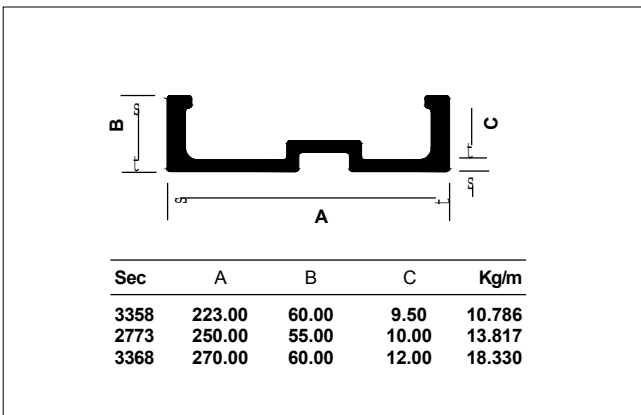
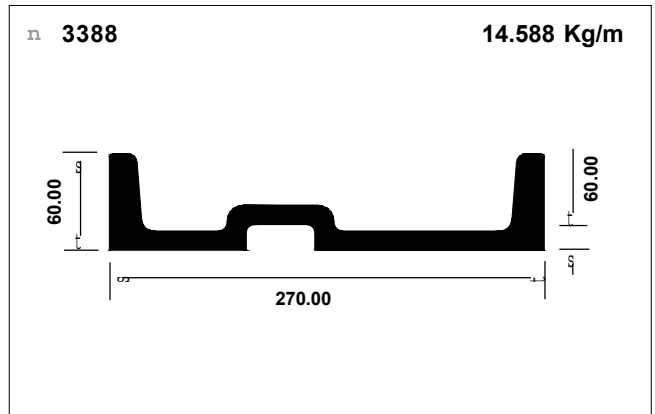
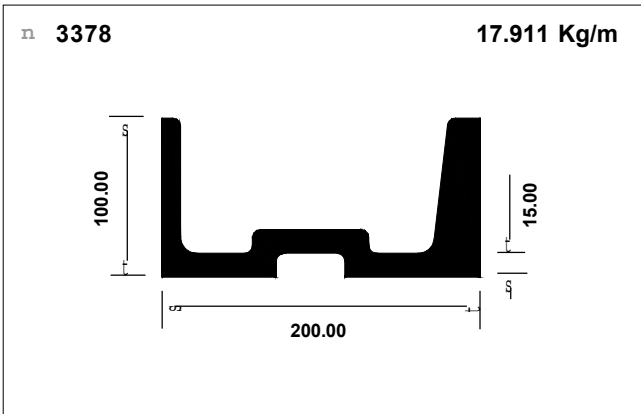
Textile machinery



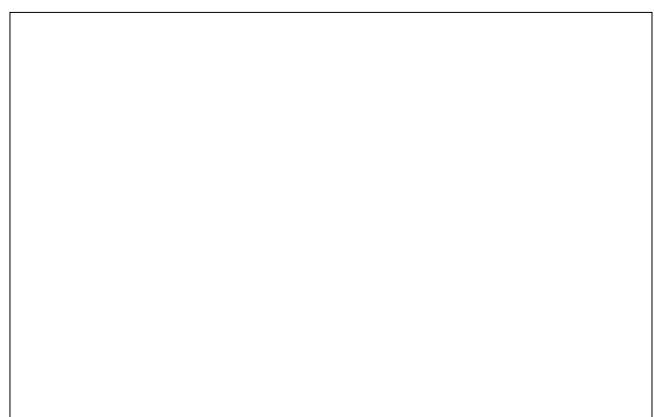
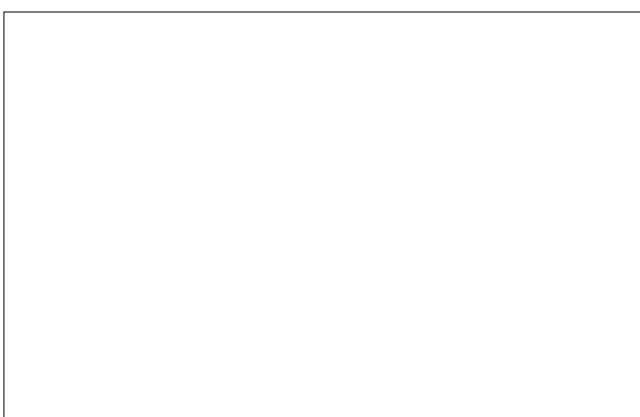
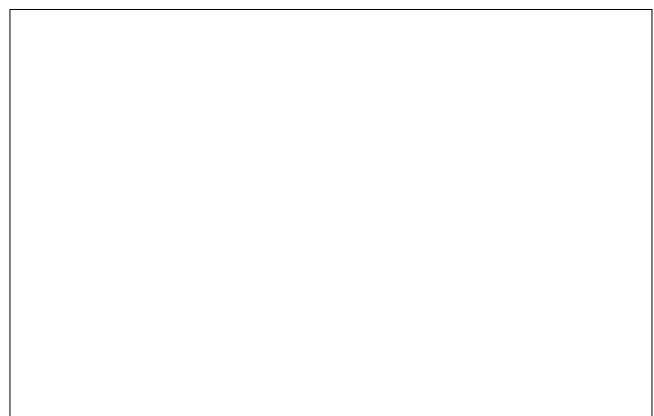
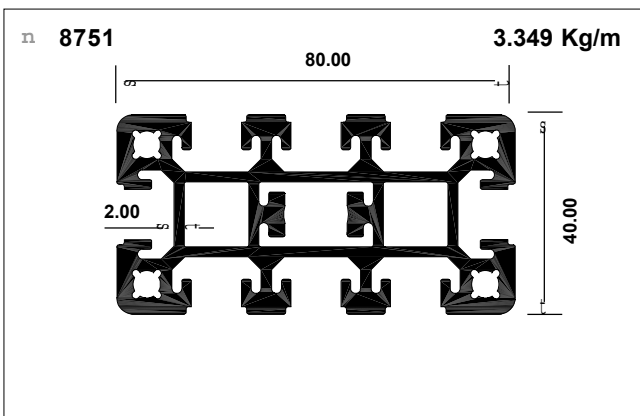
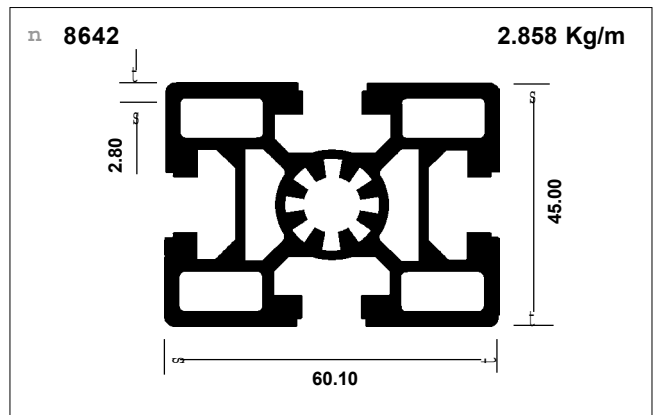
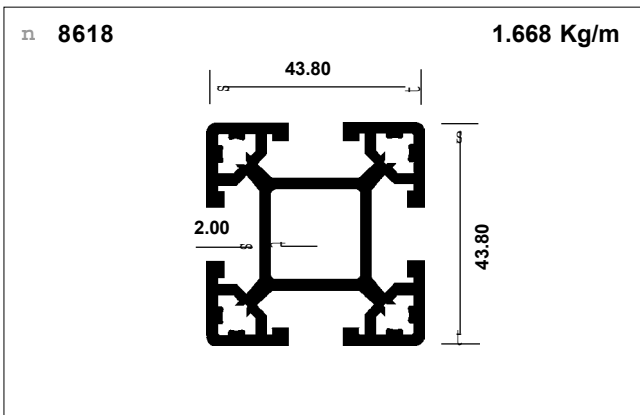
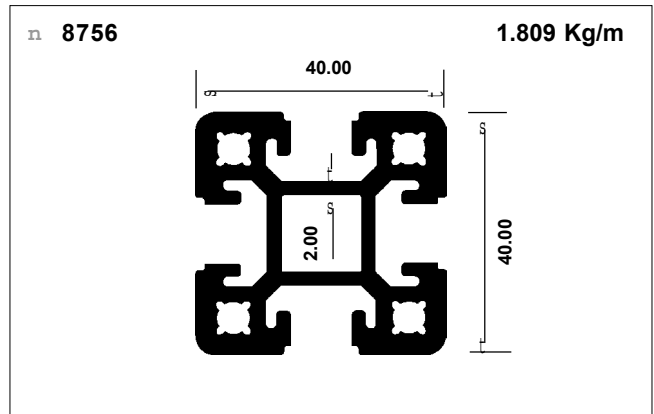
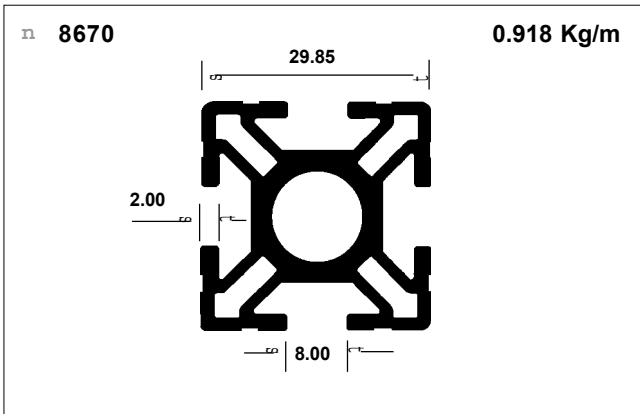
Jute machinery



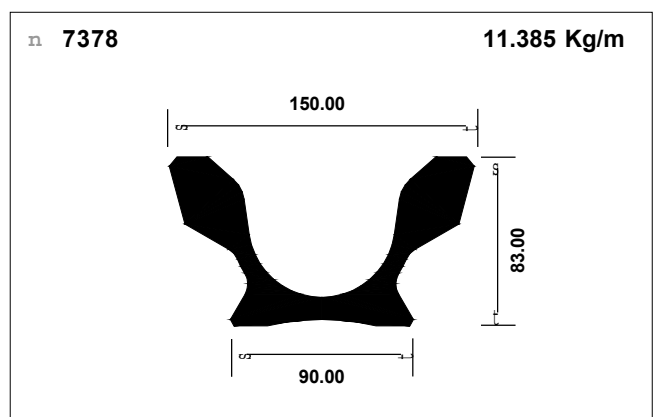
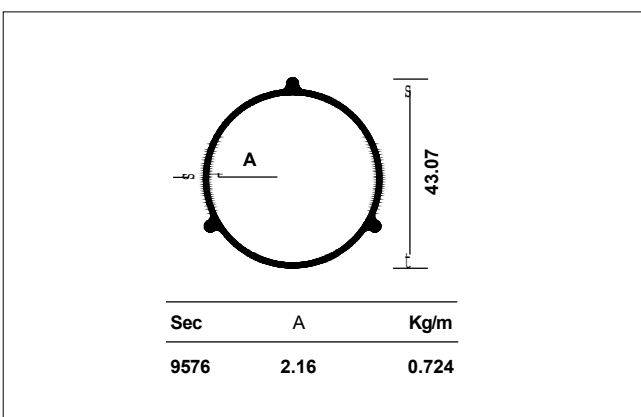
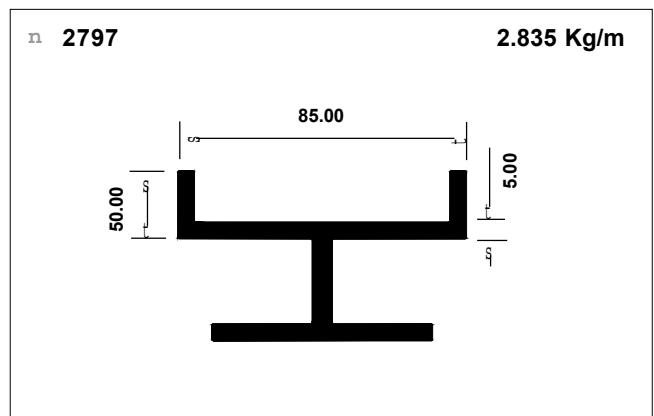
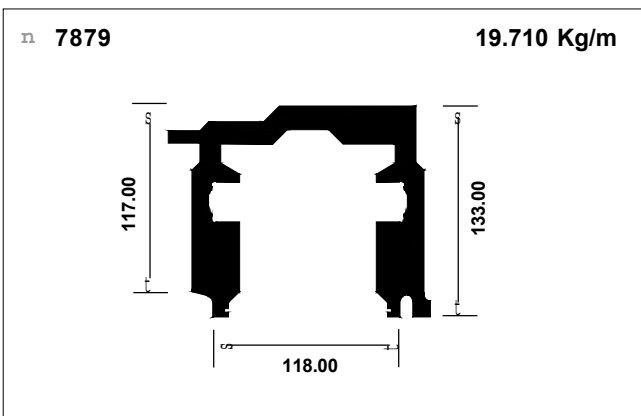
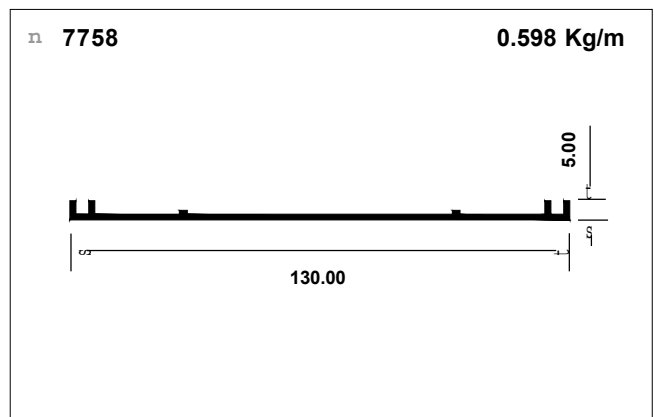
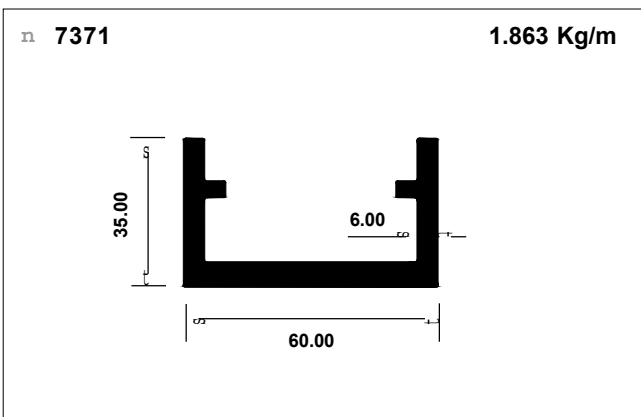
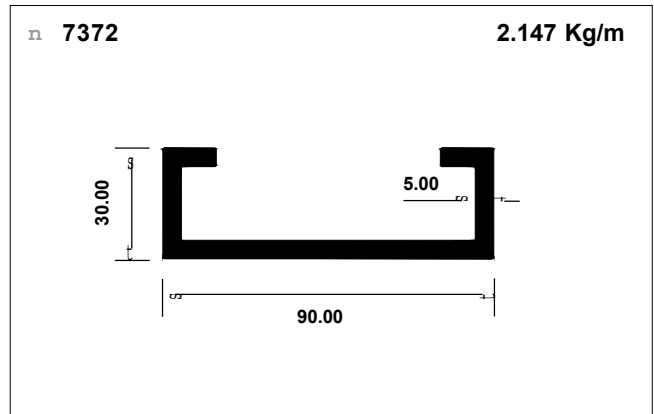
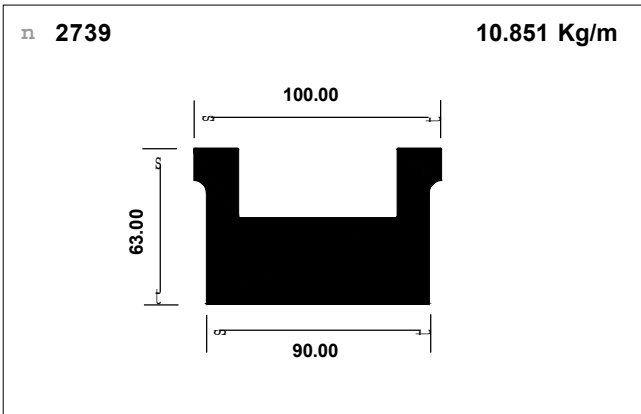
Vulcanizing Machinery



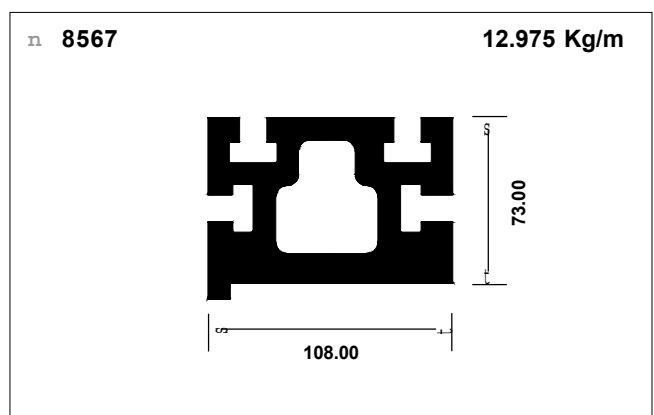
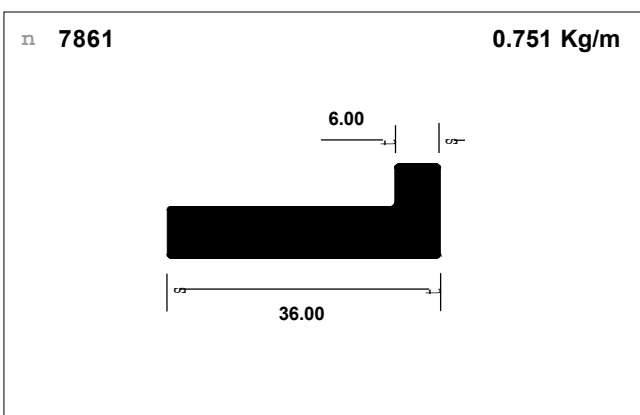
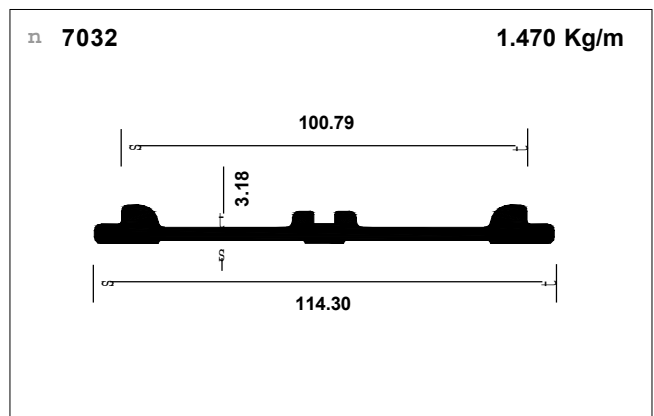
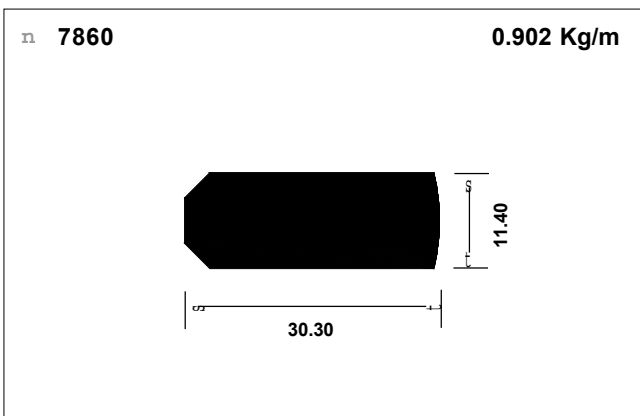
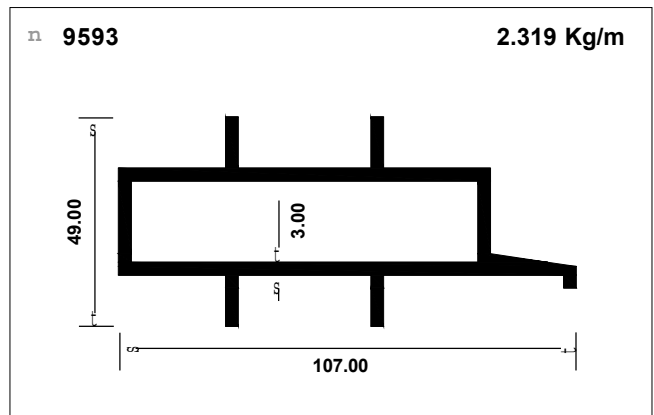
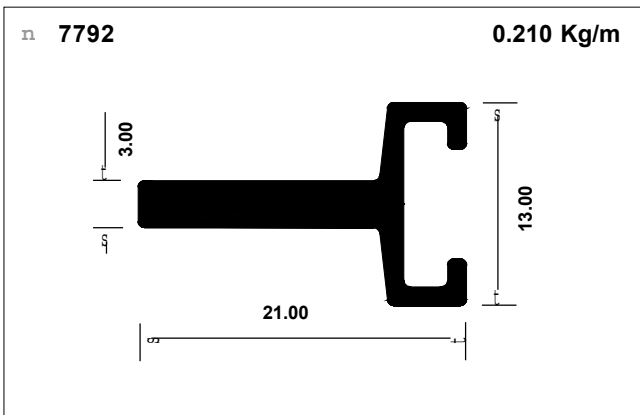
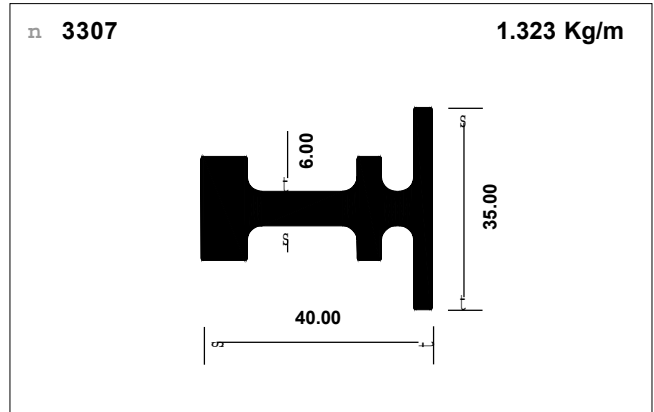
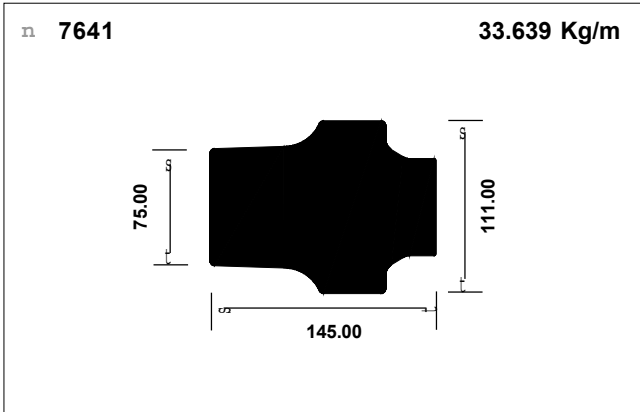
Miscellaneous



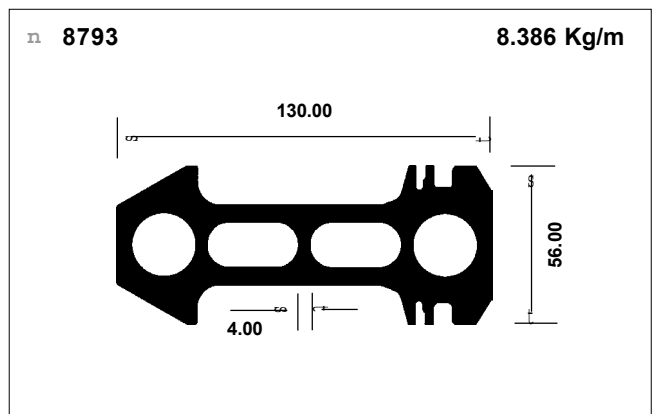
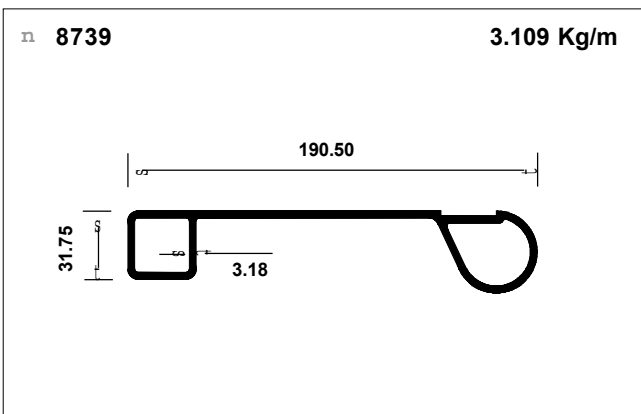
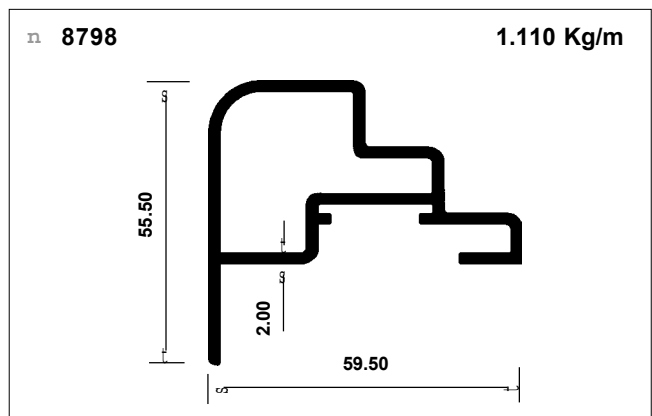
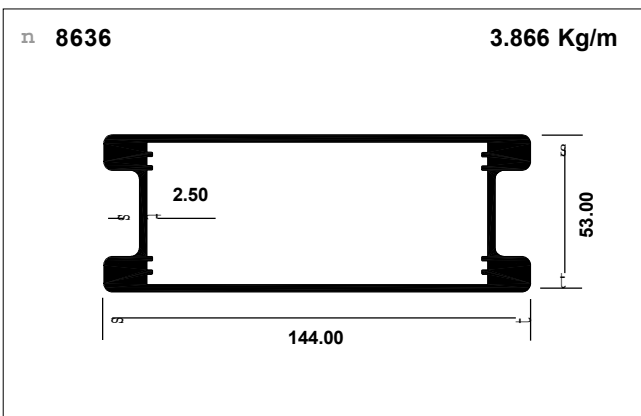
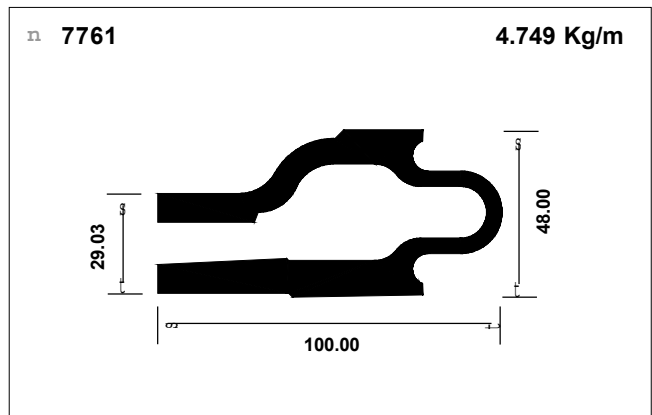
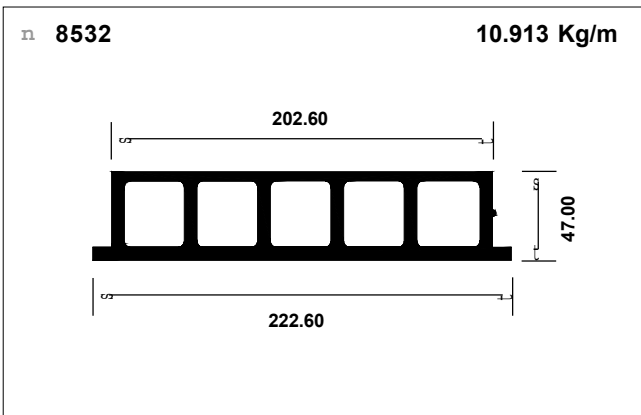
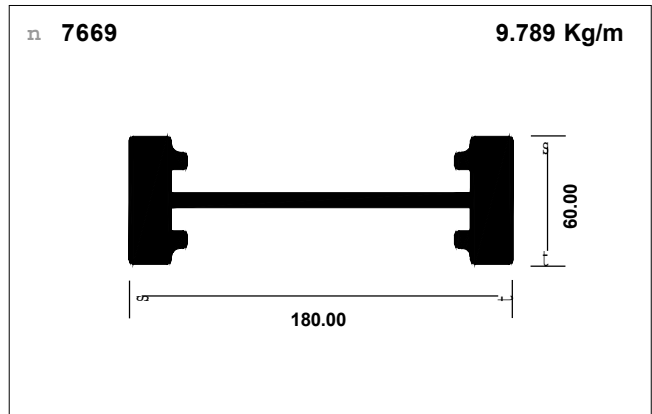
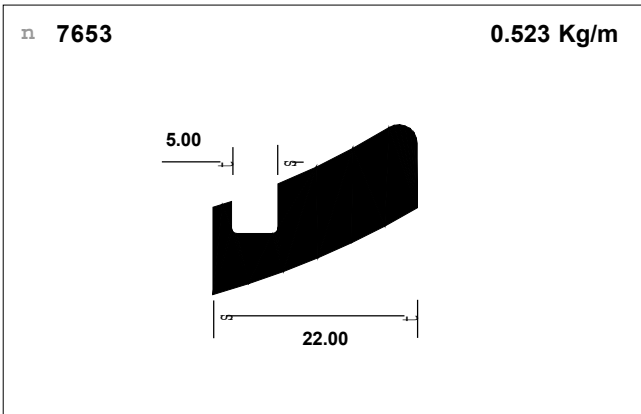
Miscellaneous



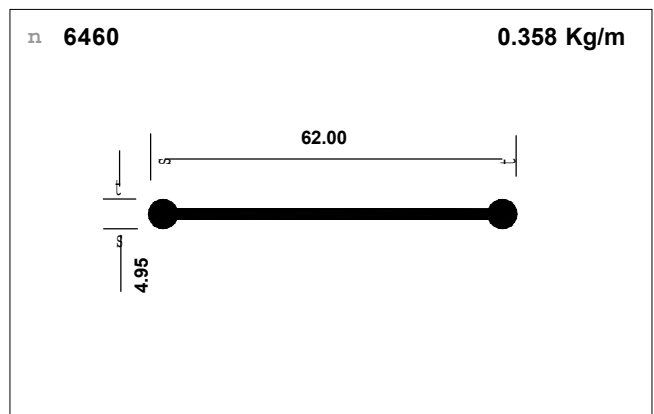
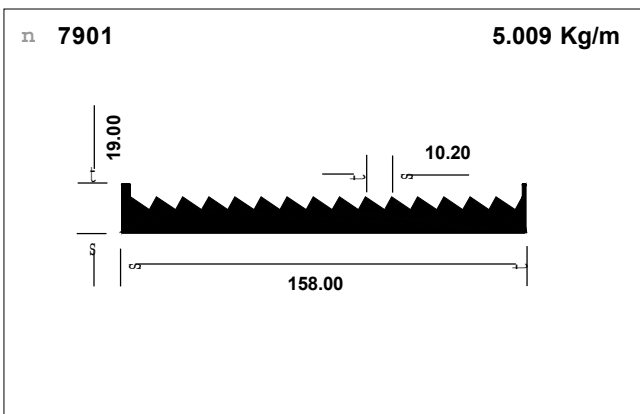
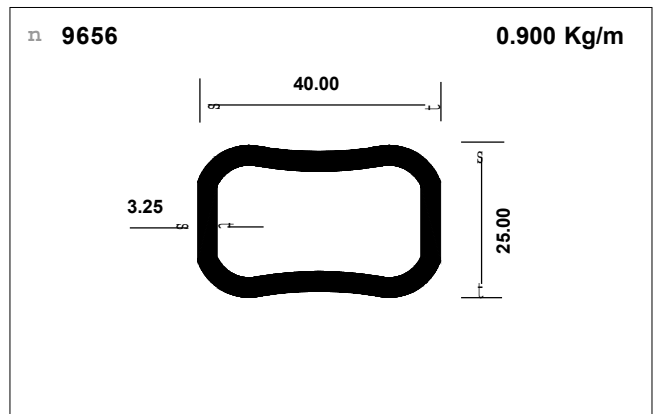
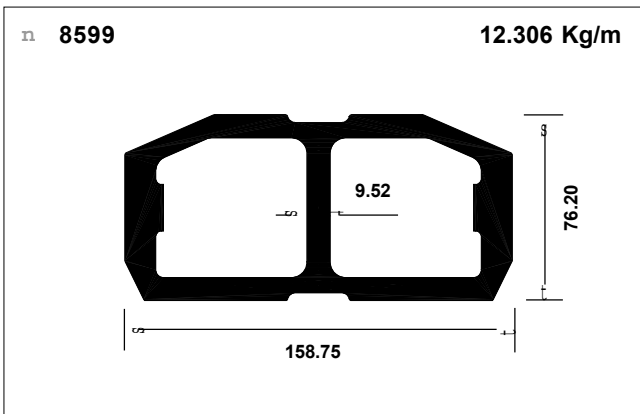
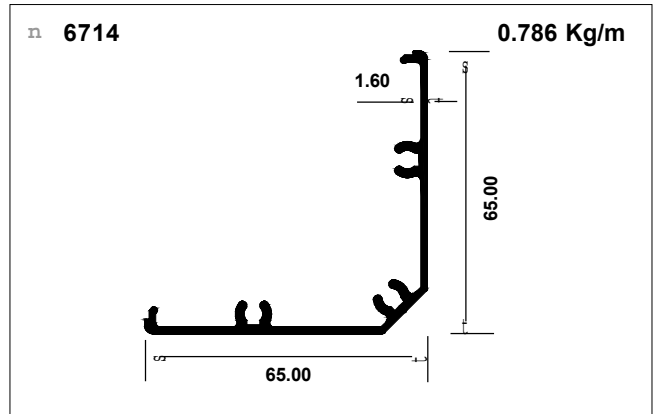
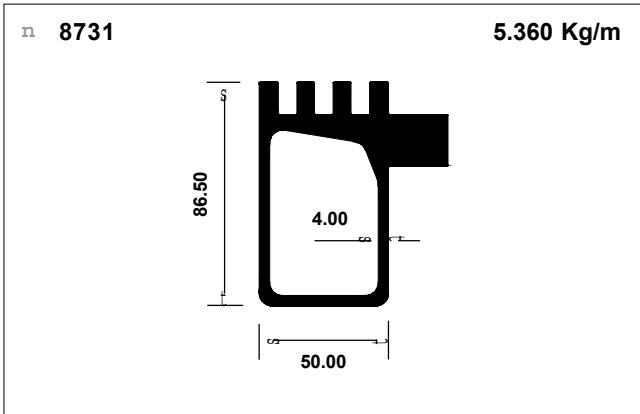
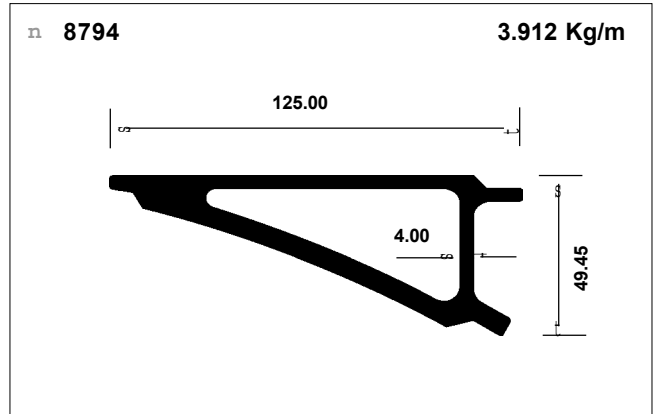
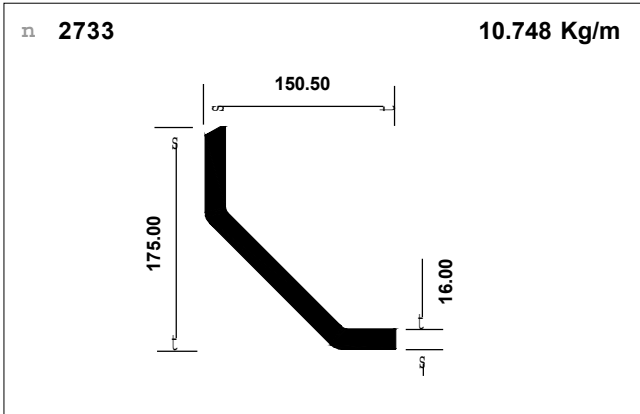
Miscellaneous



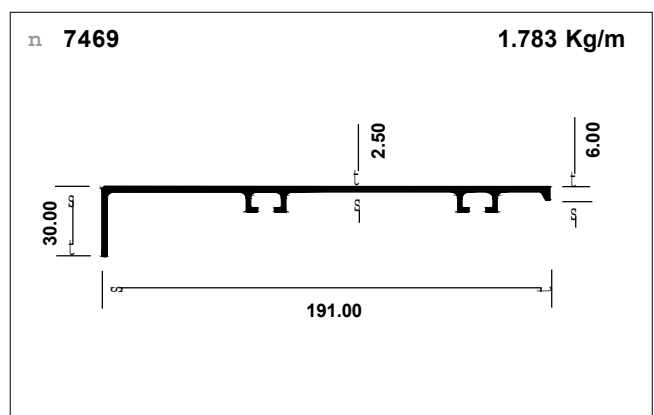
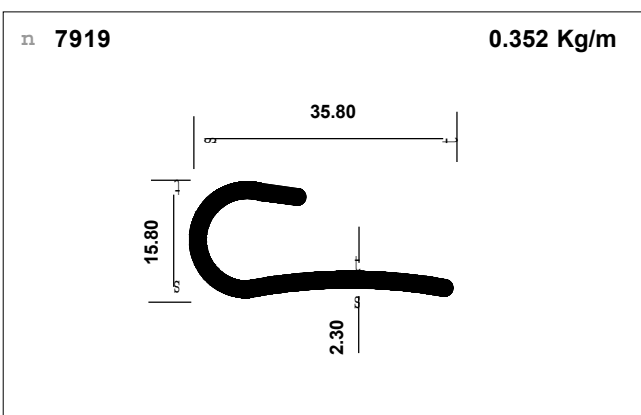
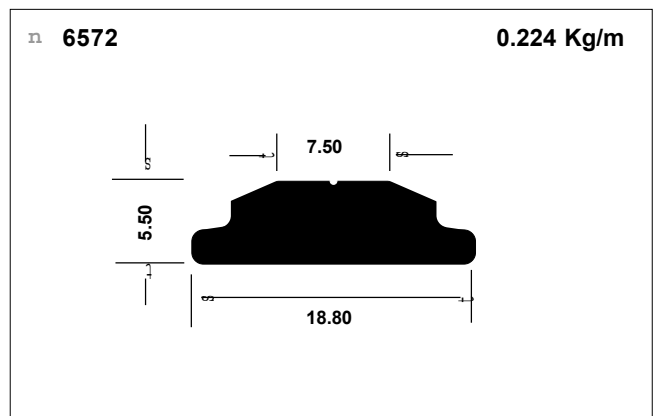
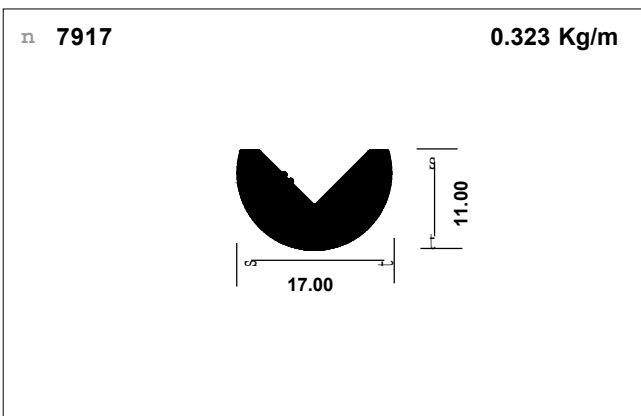
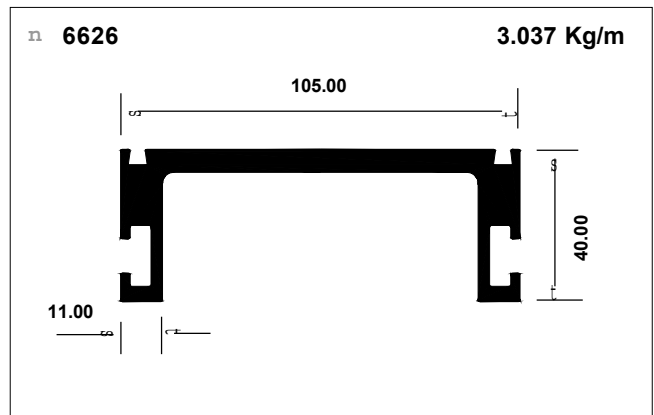
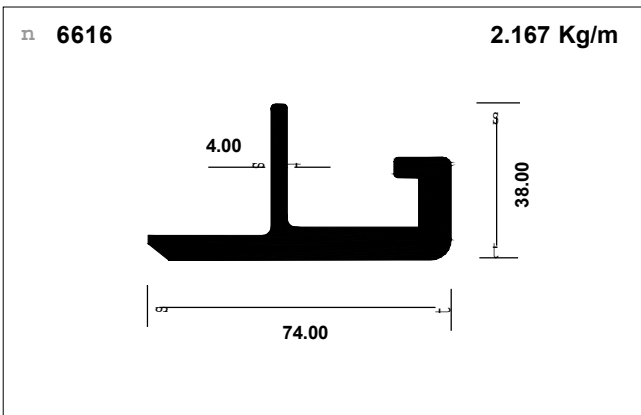
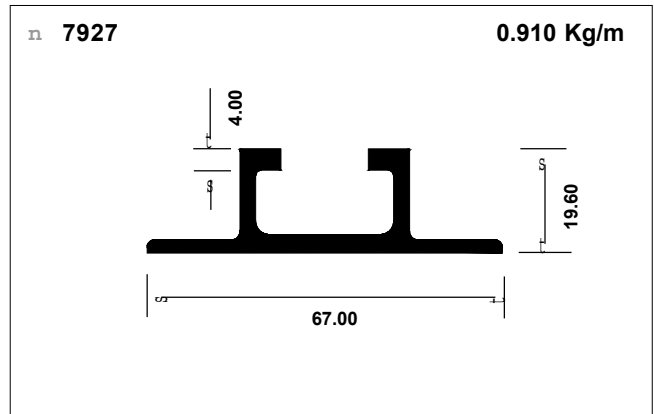
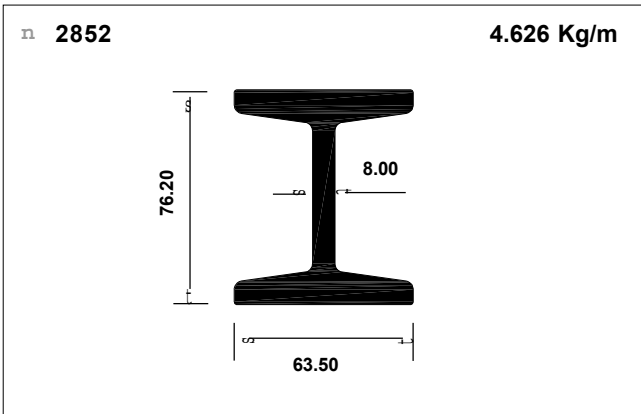
Miscellaneous



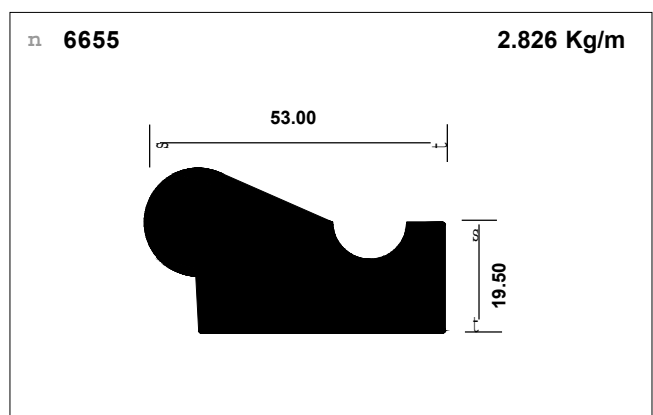
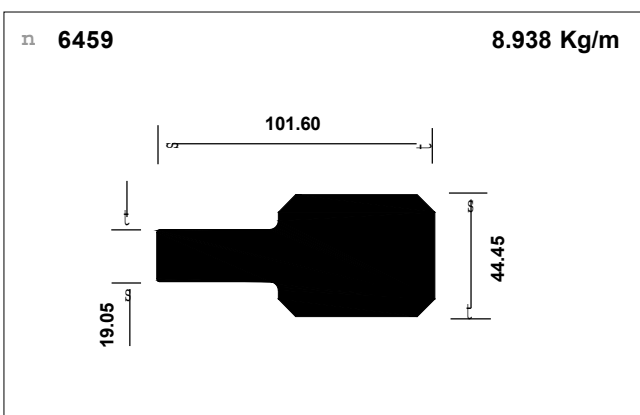
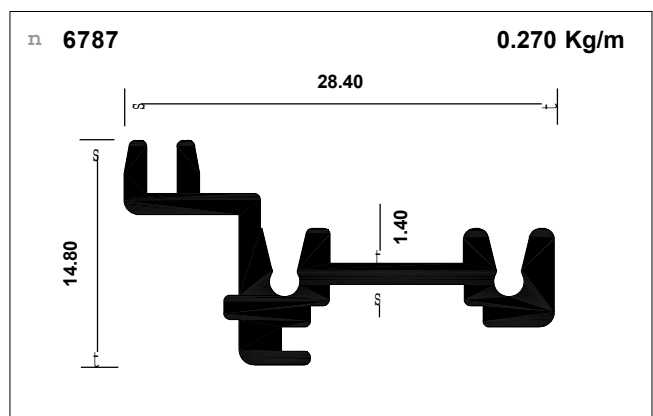
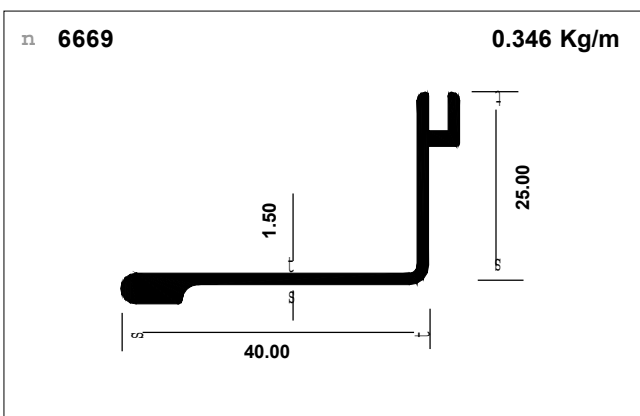
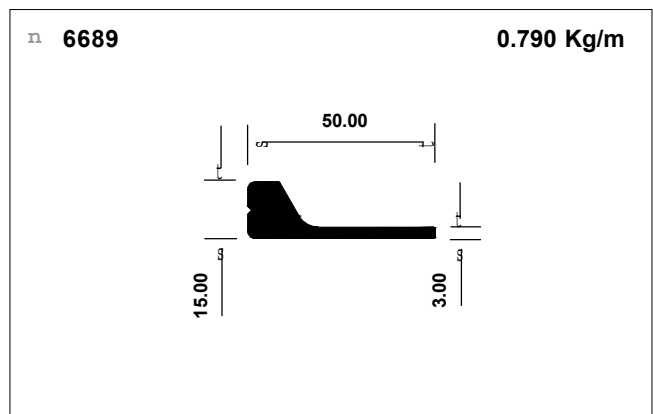
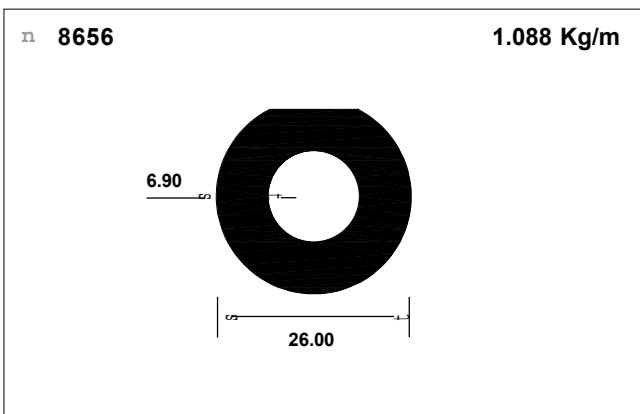
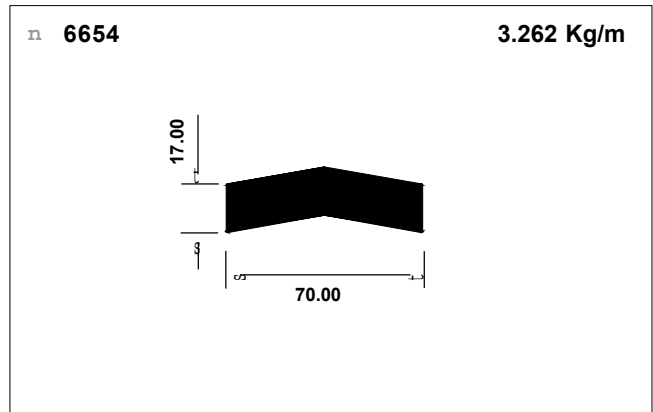
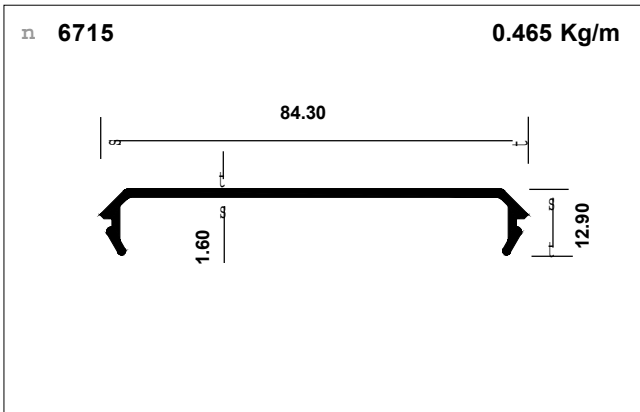
Miscellaneous



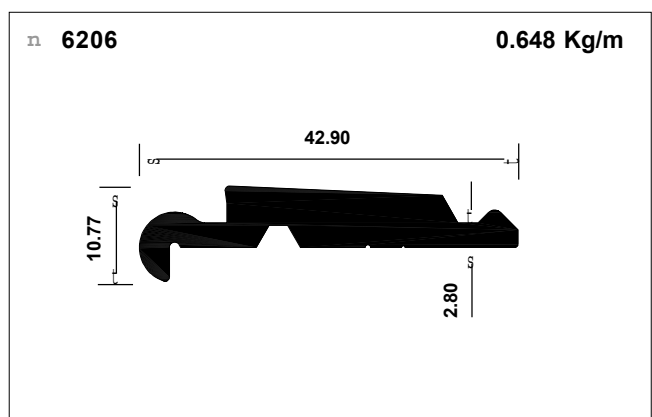
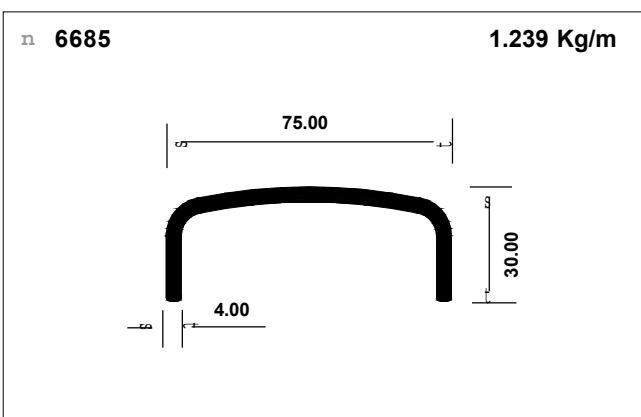
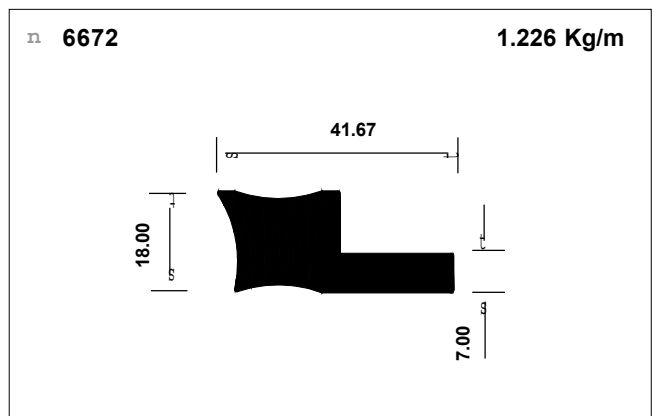
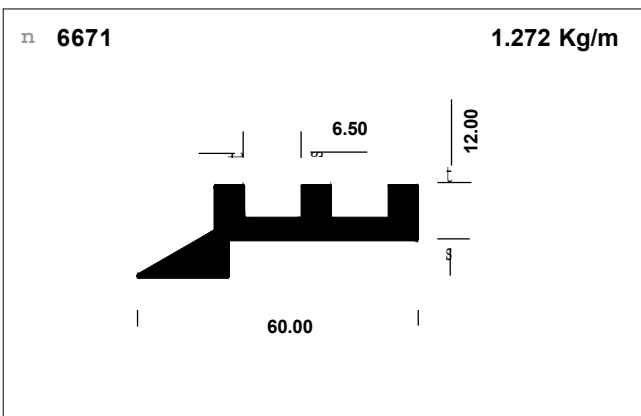
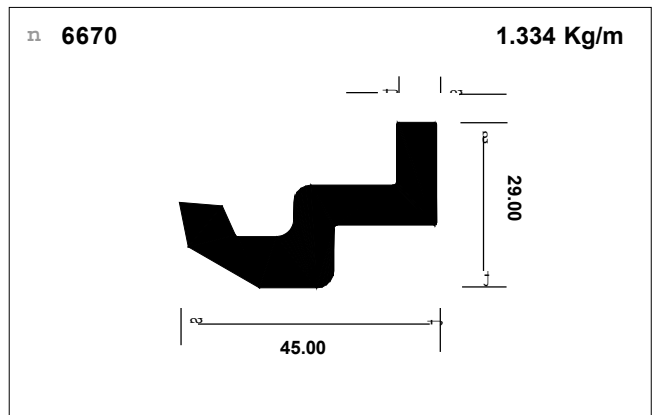
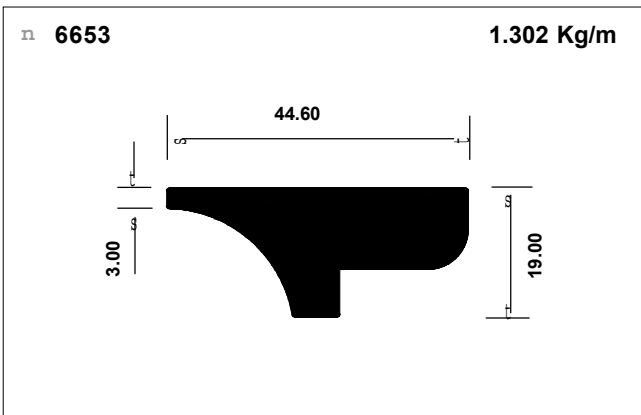
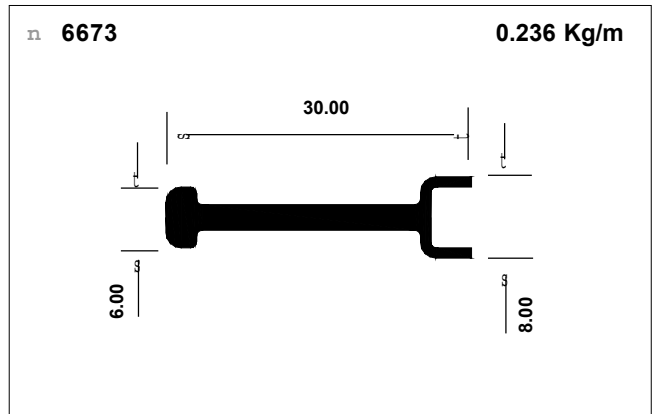
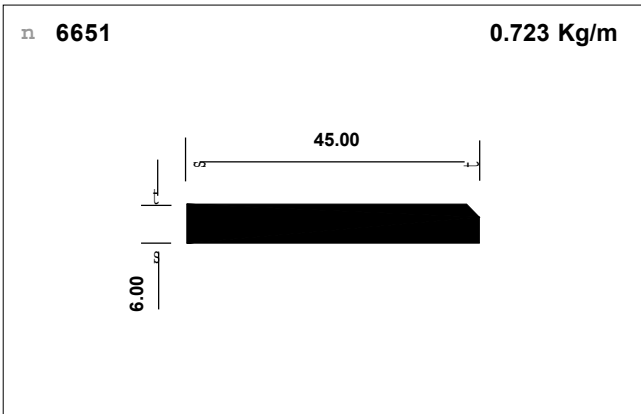
Miscellaneous



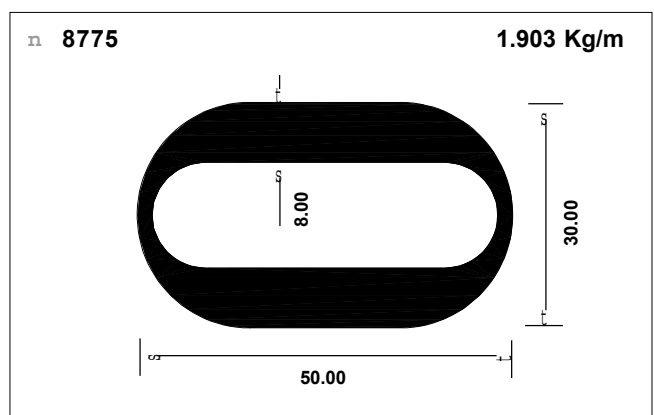
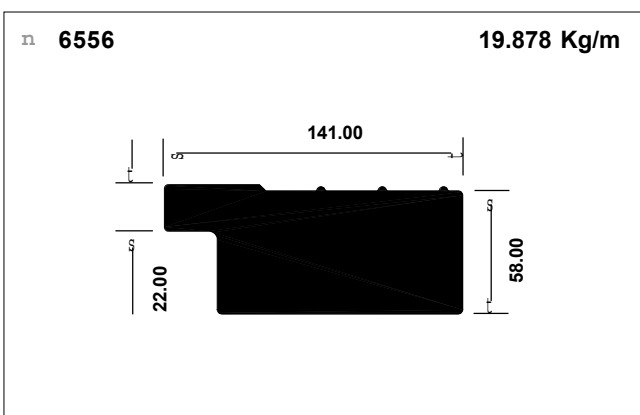
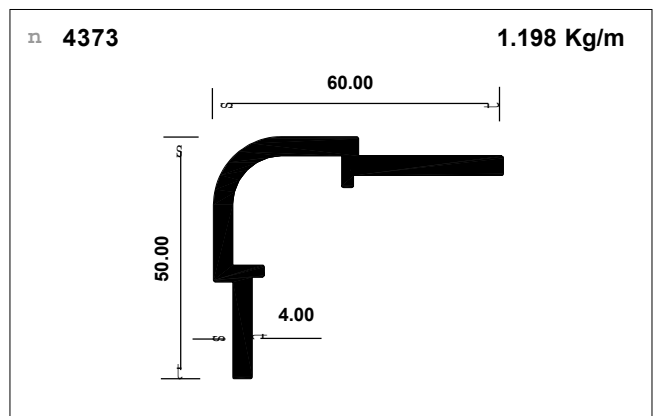
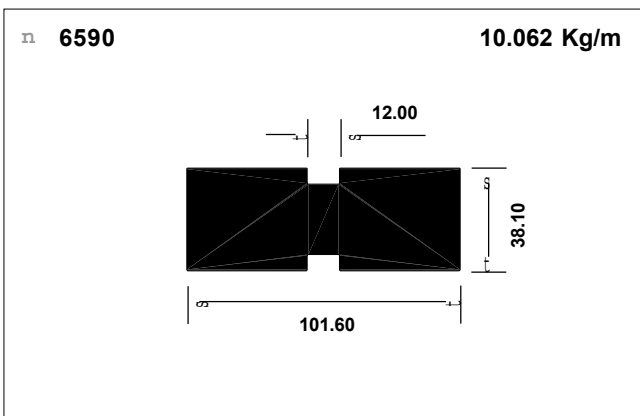
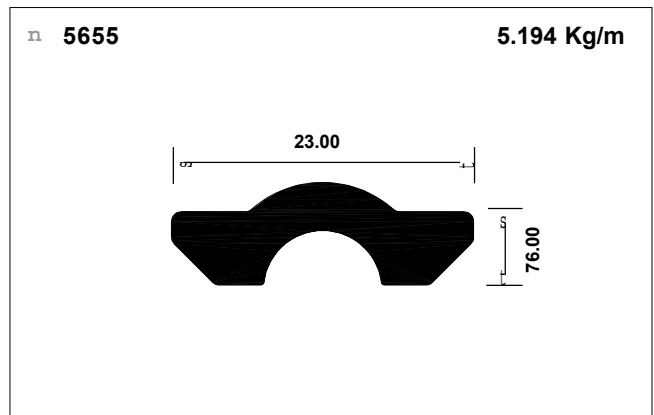
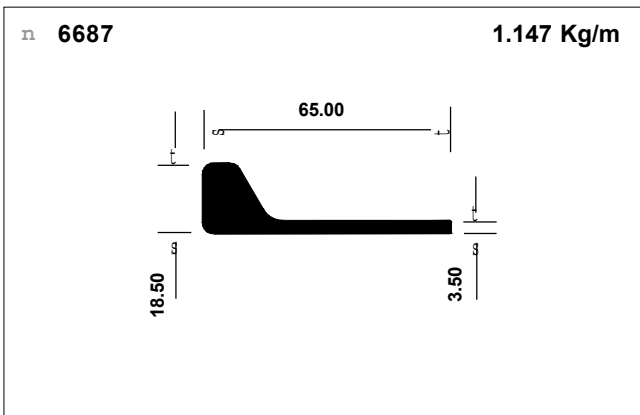
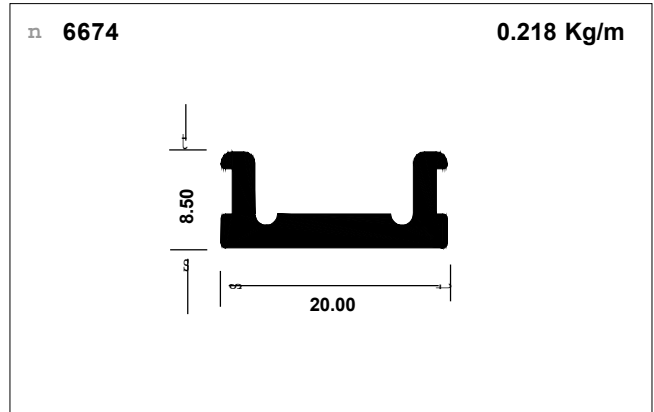
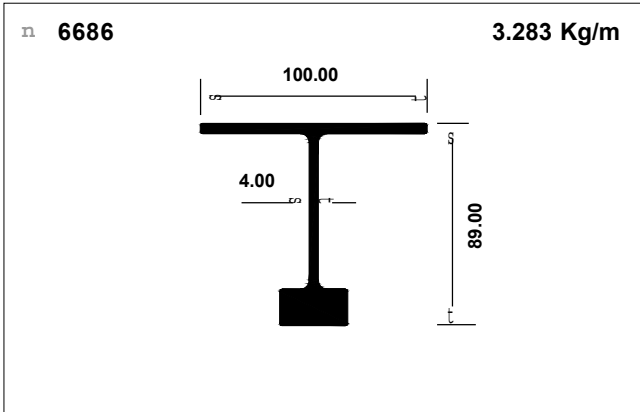
Miscellaneous



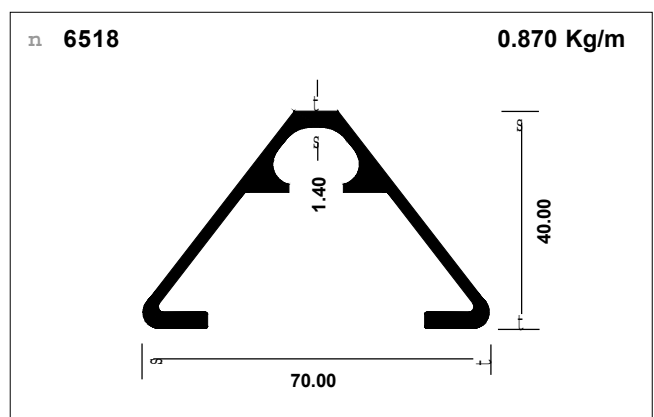
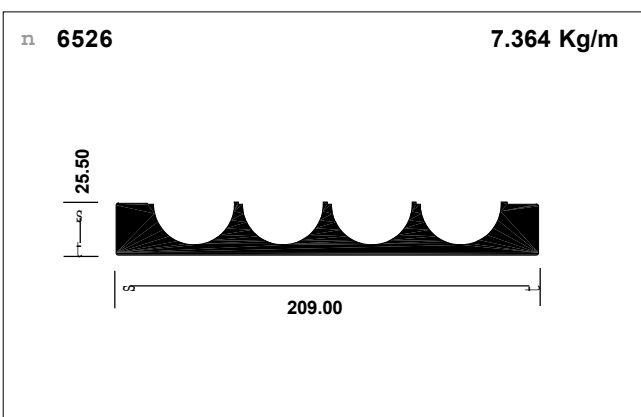
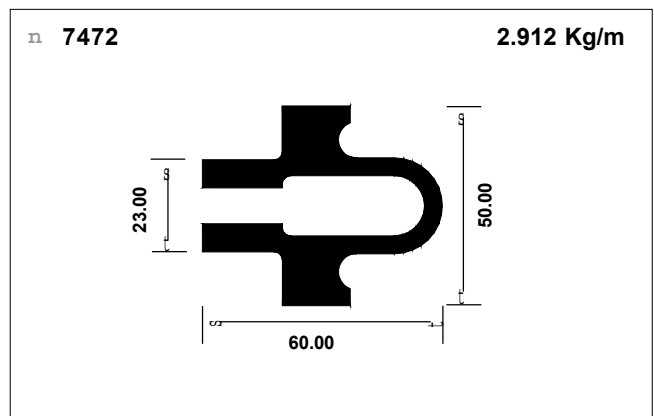
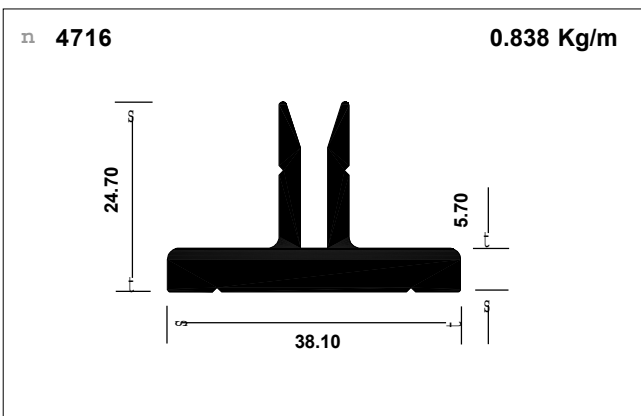
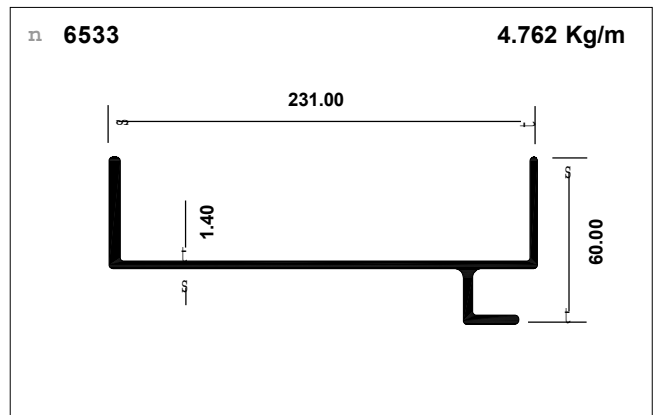
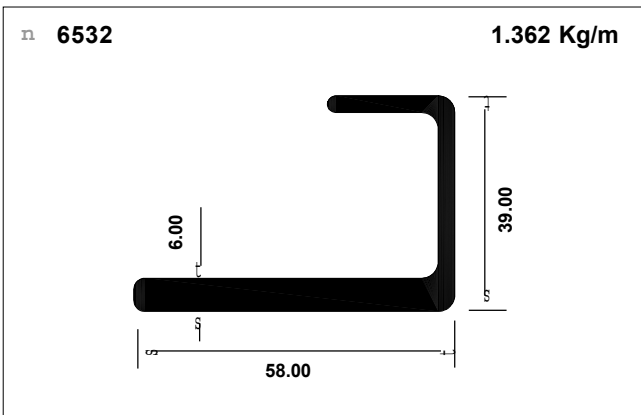
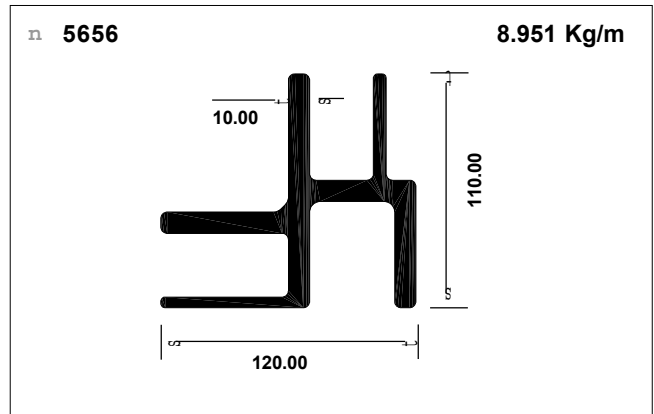
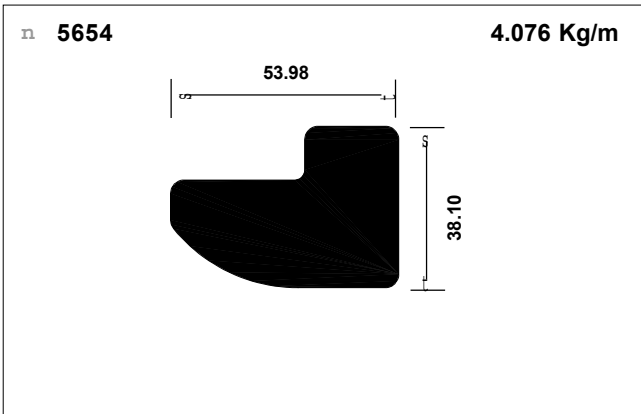
Miscellaneous



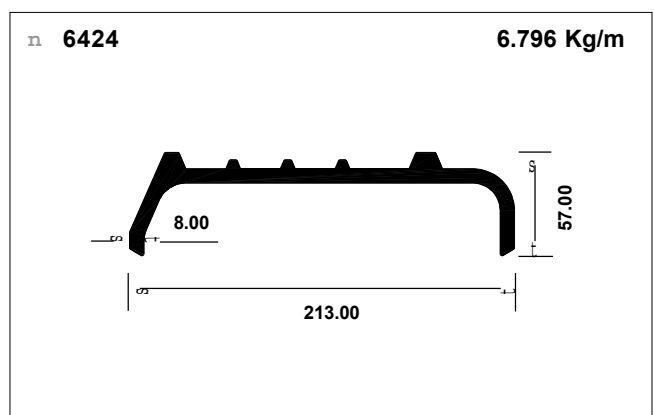
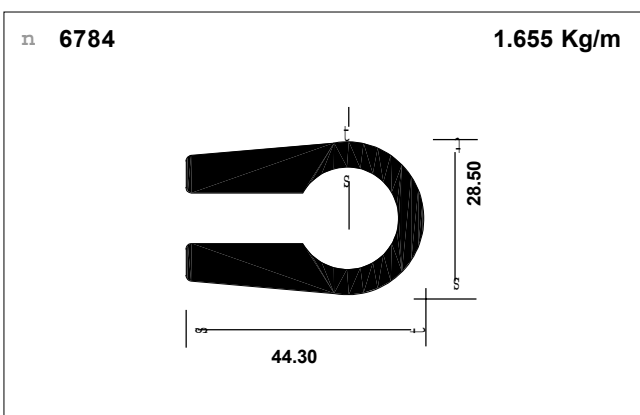
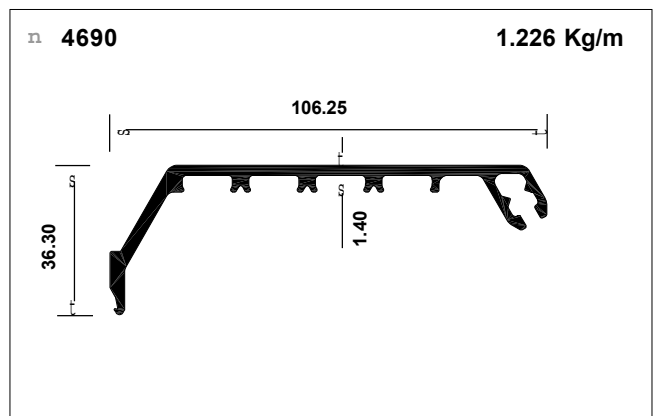
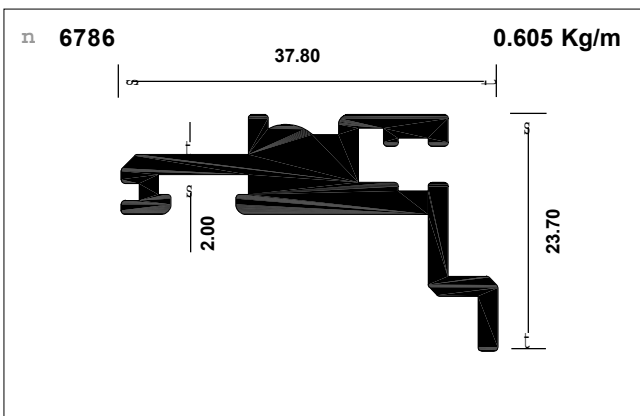
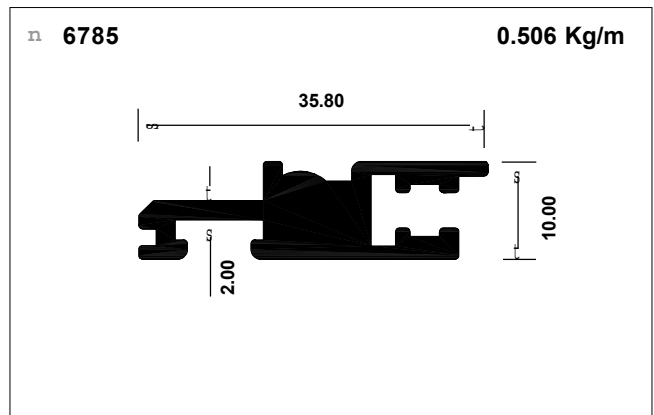
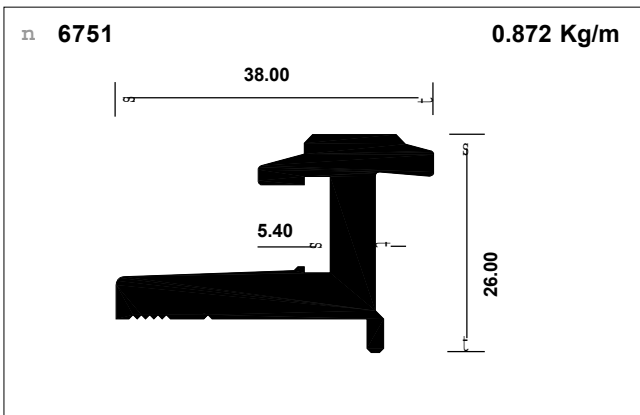
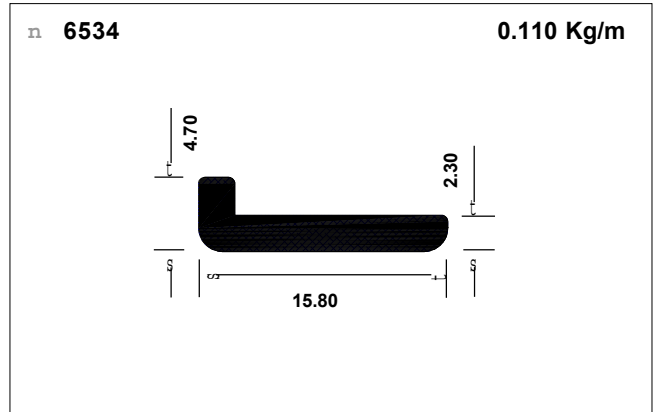
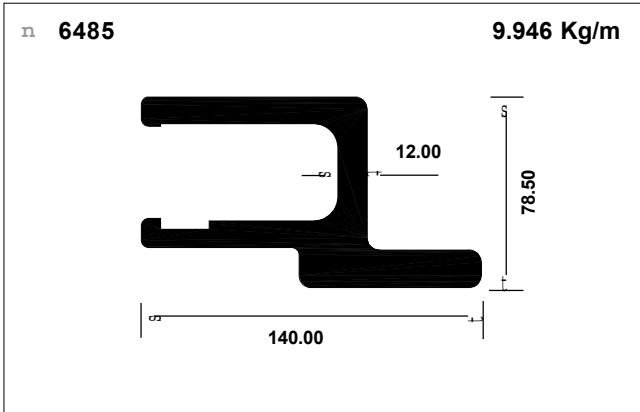
Miscellaneous



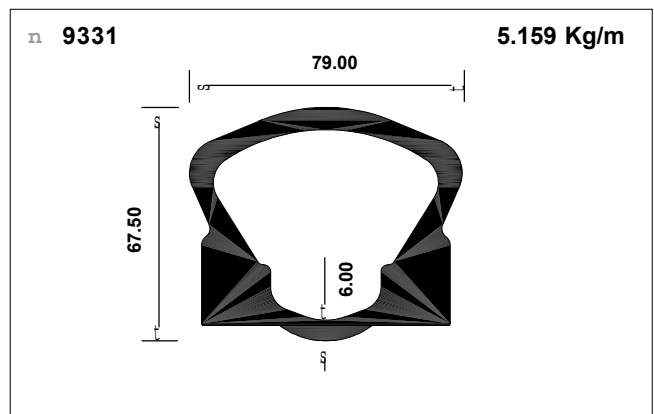
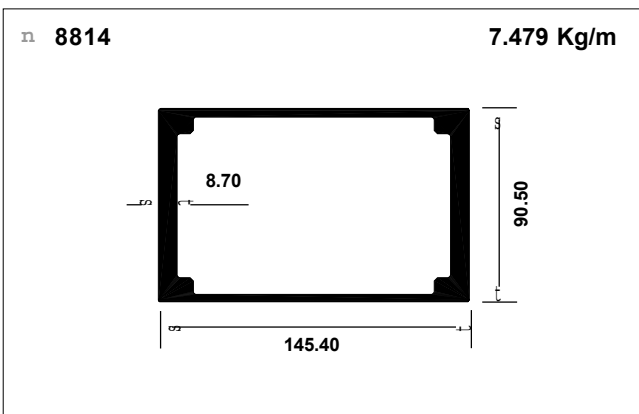
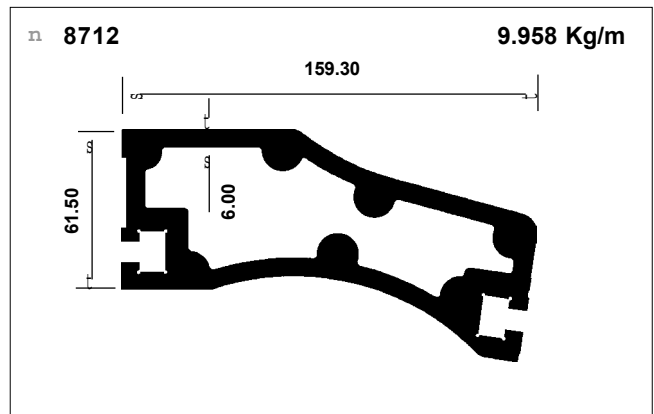
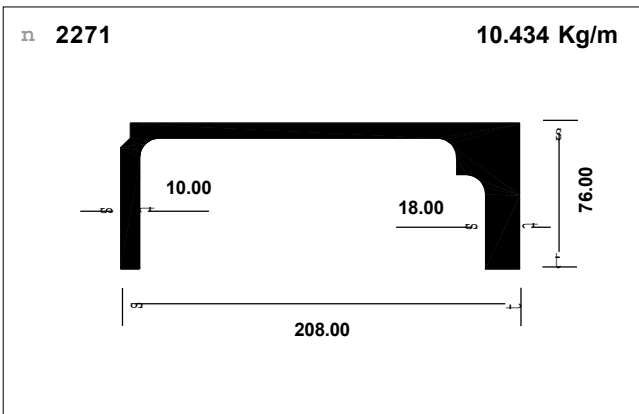
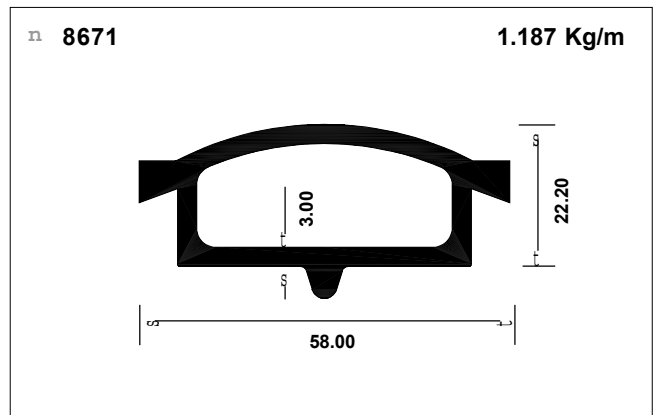
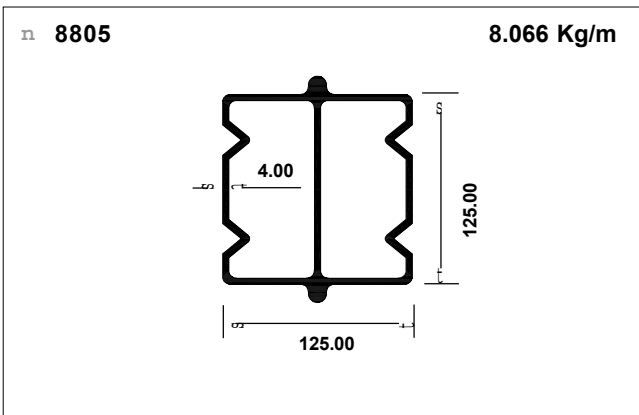
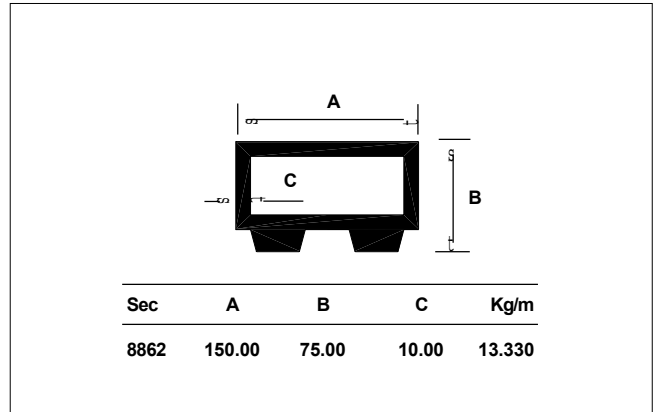
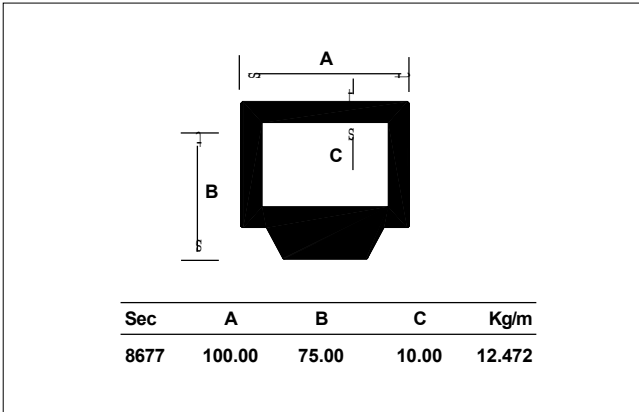
Miscellaneous



Miscellaneous



Miscellaneous



Miscellaneous

Sec	A	Kg/m
5558	165.00	5.729
5559	295.00	10.292

n 6325 1.058 Kg/m

n 6651 0.723 Kg/m

n 6652 1.277 Kg/m

n 5201 0.450 Kg/m

