



**Consumer**



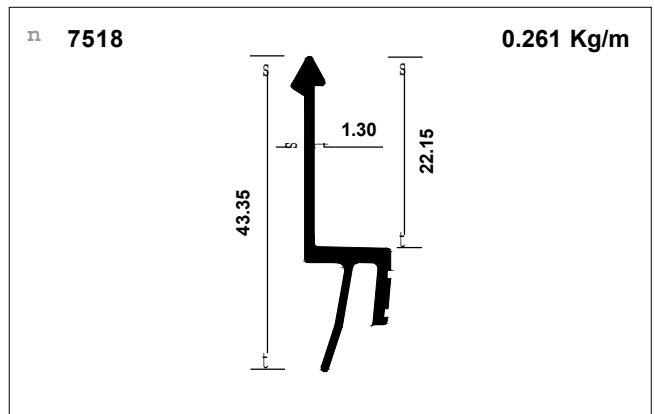
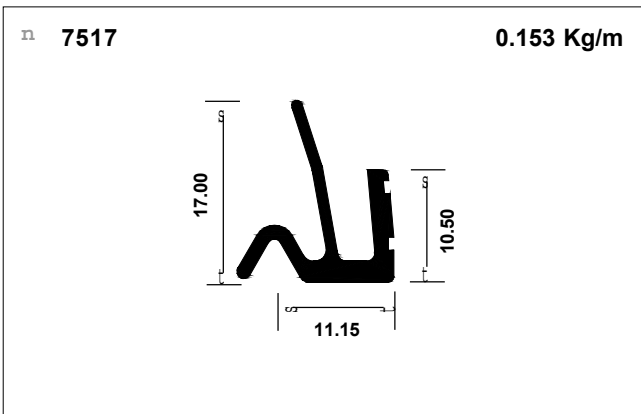
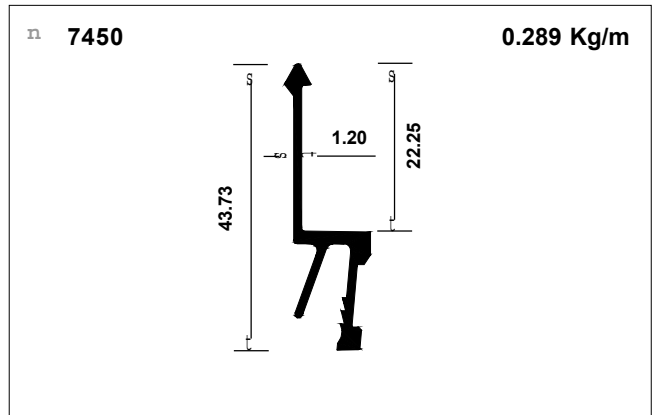
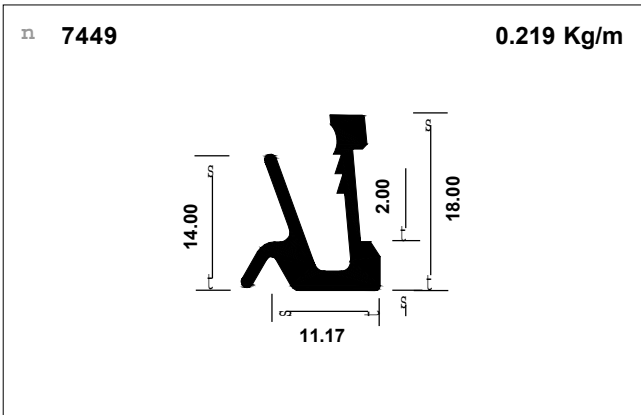
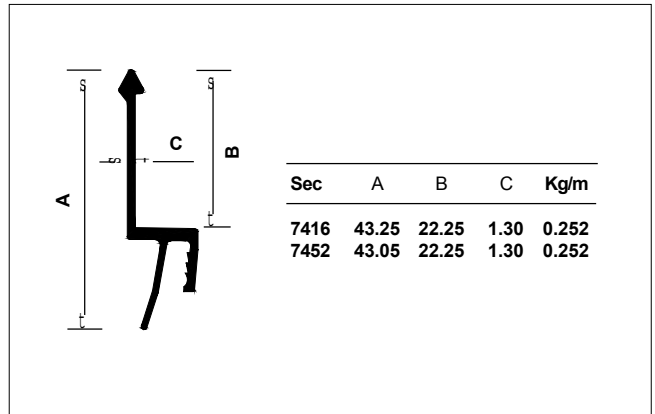
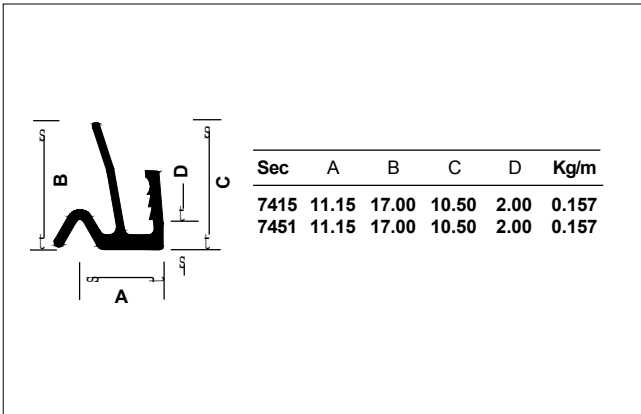
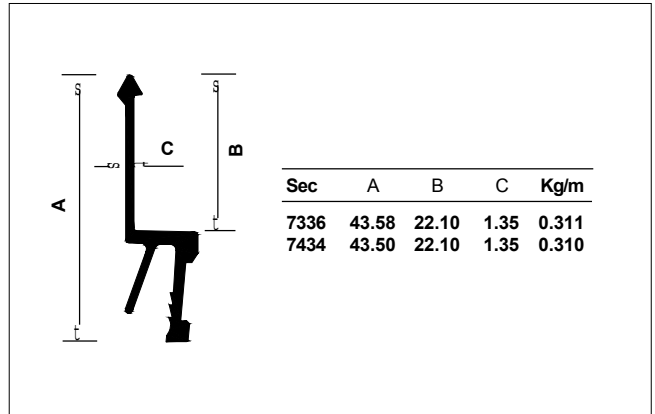
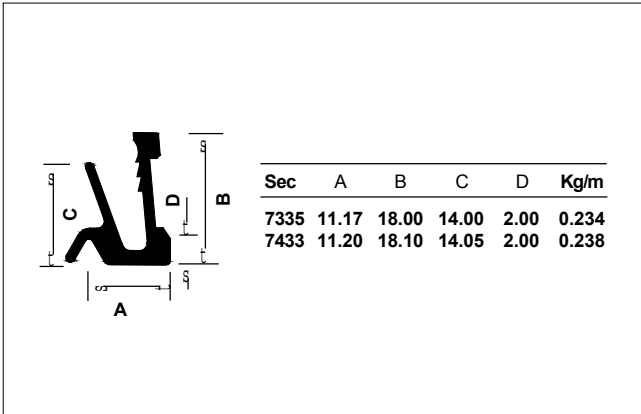
## Contents

Click on the desired sub-segment to go directly to the page

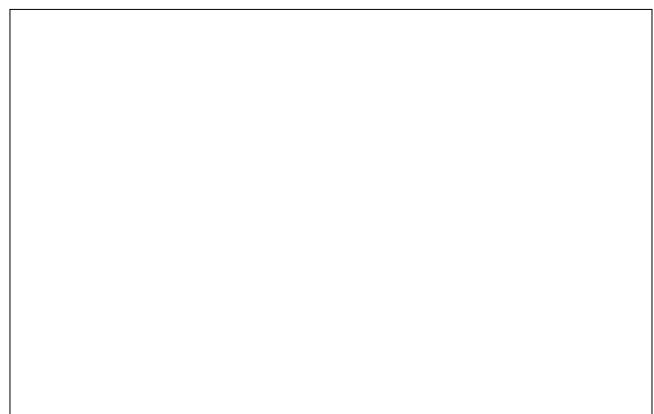
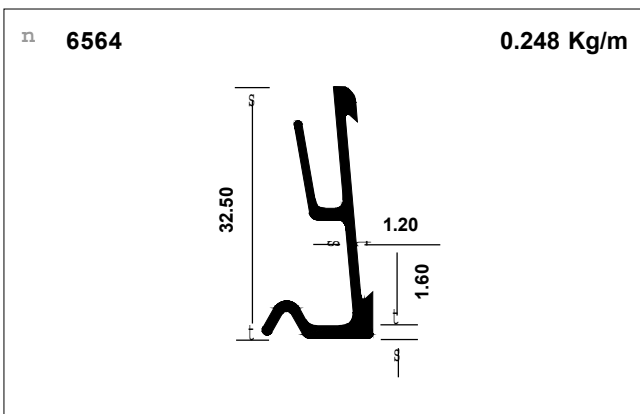
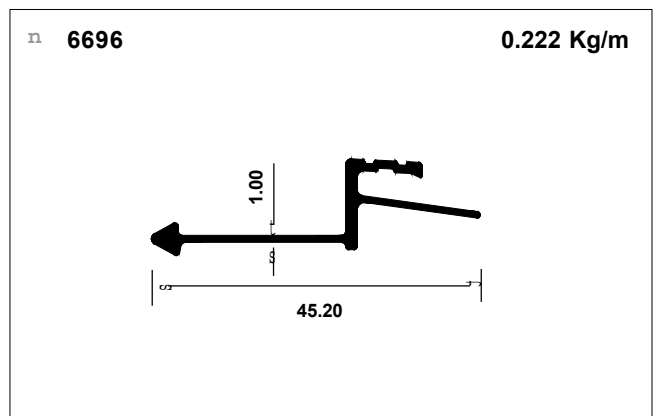
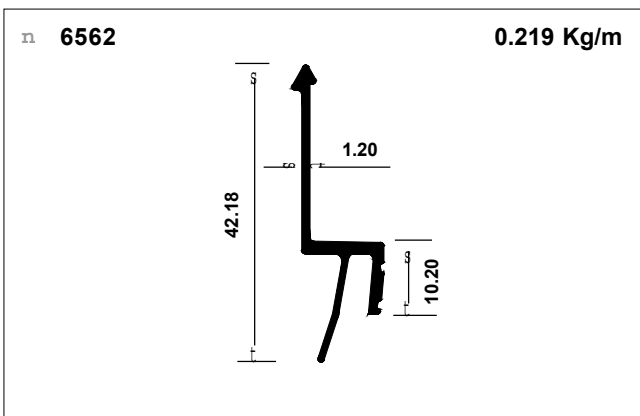
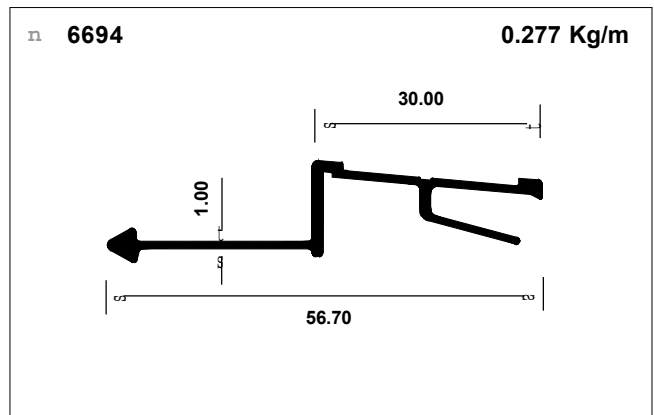
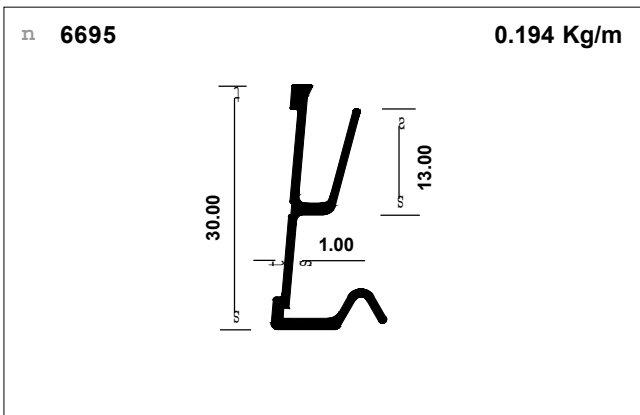
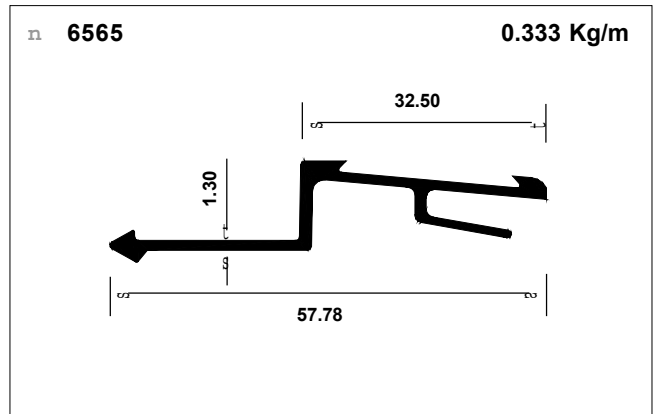
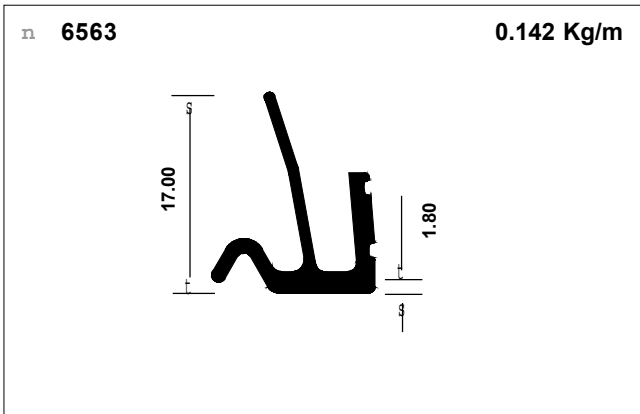
### Consumer

	catalogue pg. nos	pdf pg. nos
<b>Luggage</b> .....	257	3
<b>Tennis racket</b> .....	261	7
<b>Air condition grills</b> .....	262	8
<b>Solar panels</b> .....	266	12
<b>Photo frames</b> .....	271	17

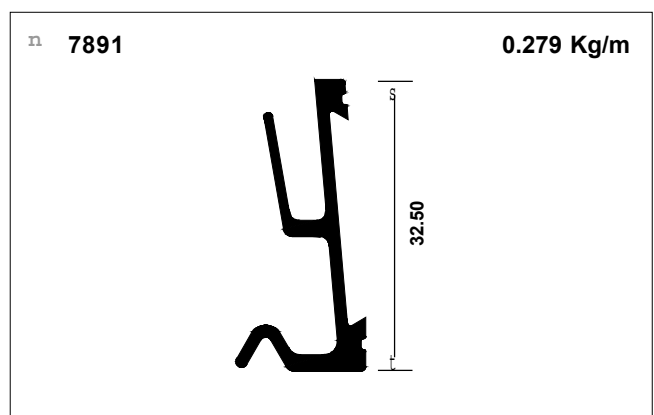
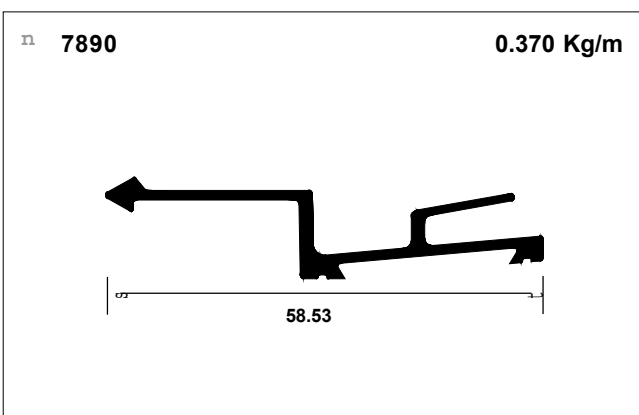
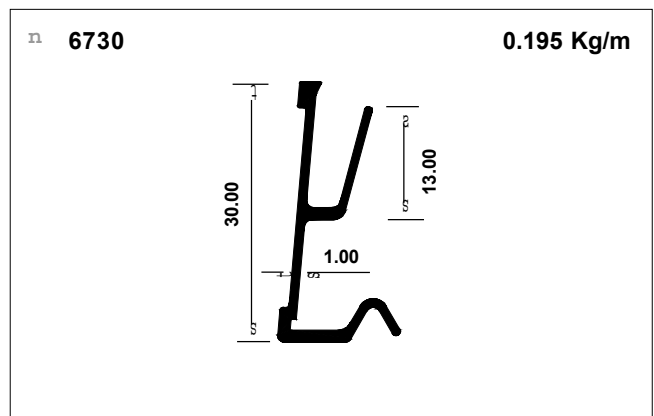
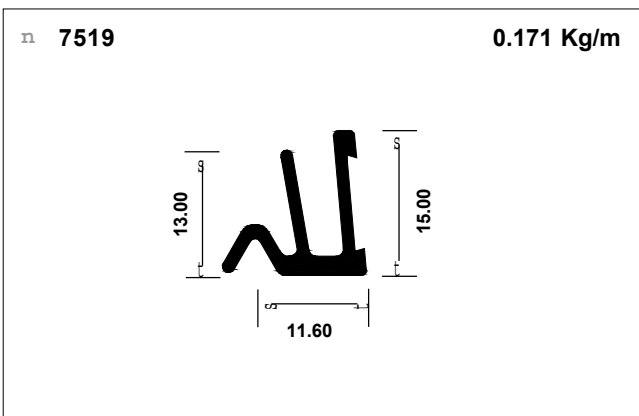
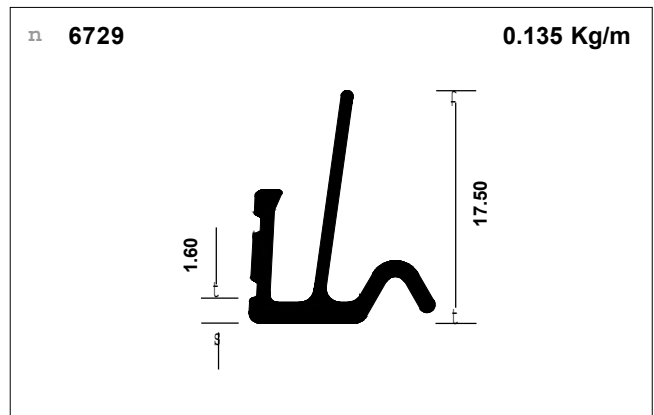
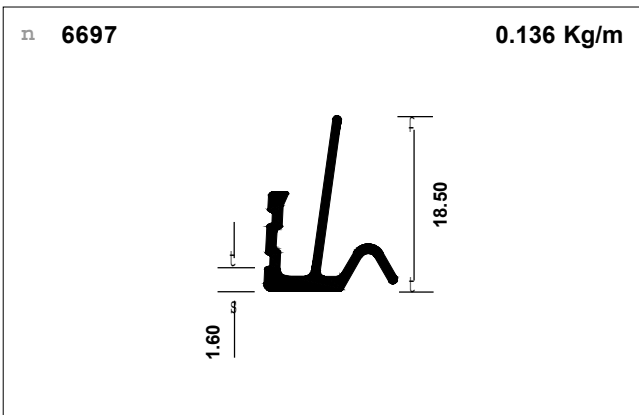
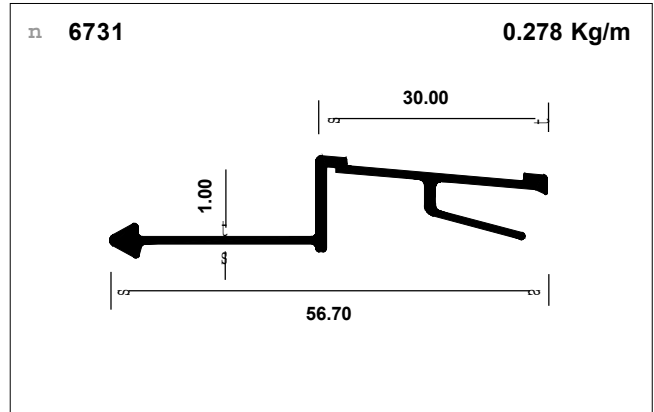
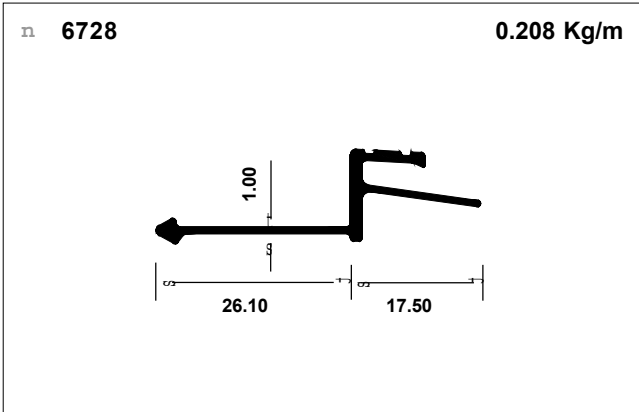
**Luggage**



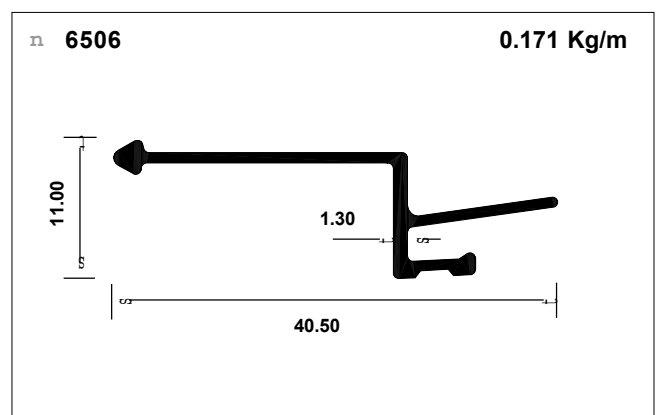
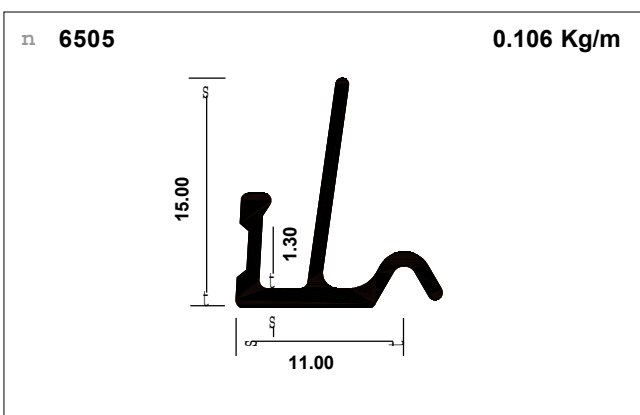
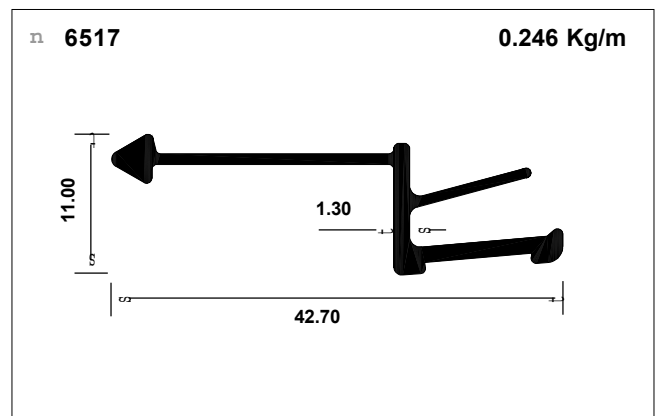
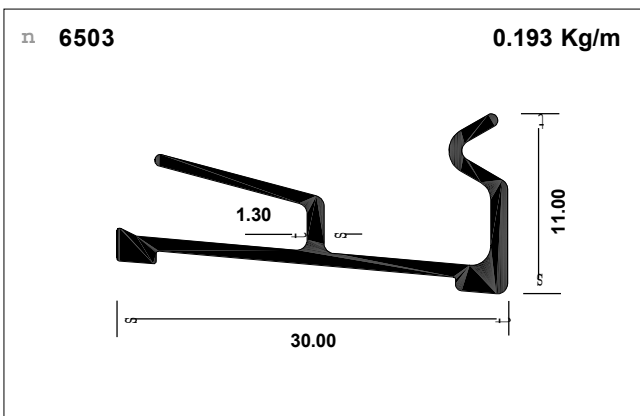
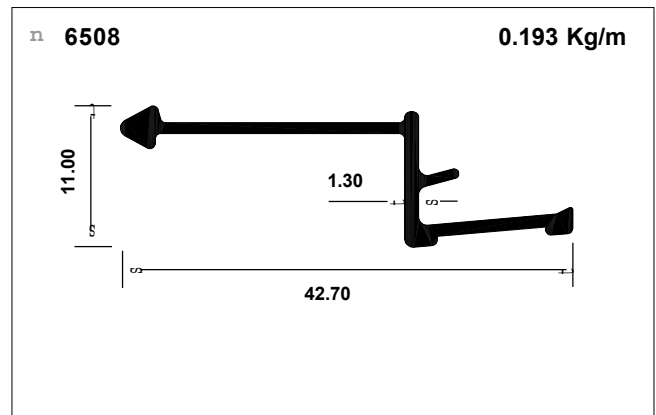
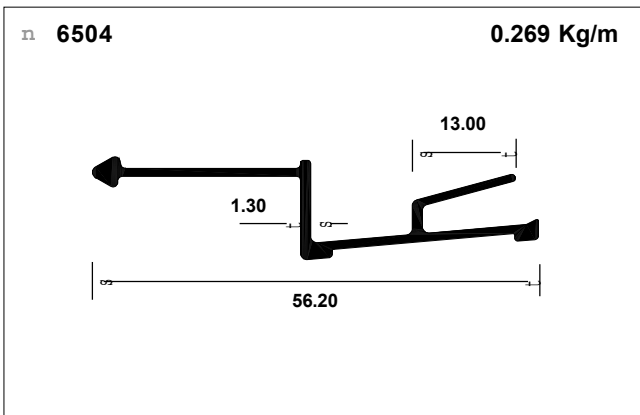
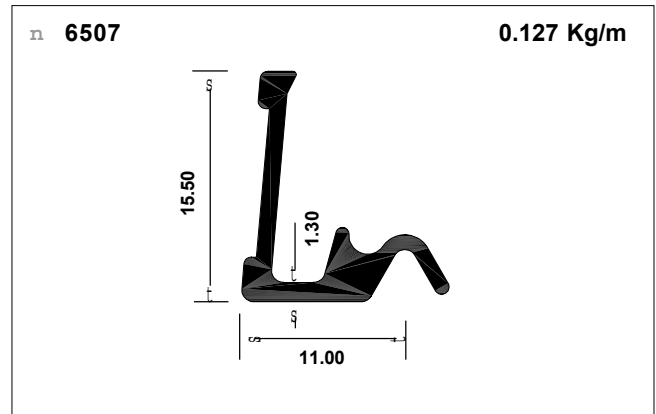
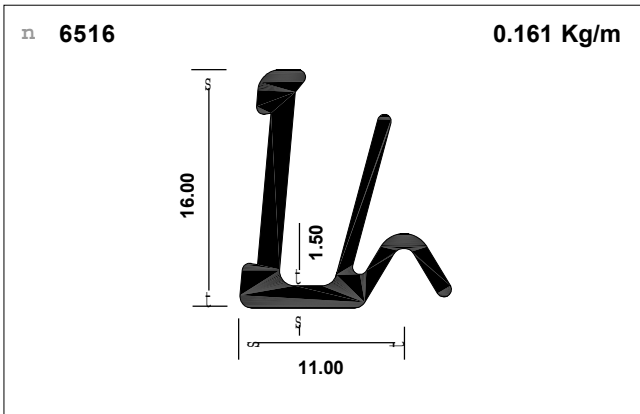
Luggage



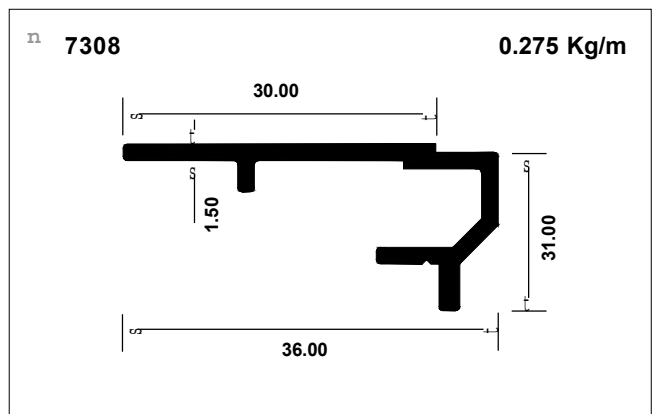
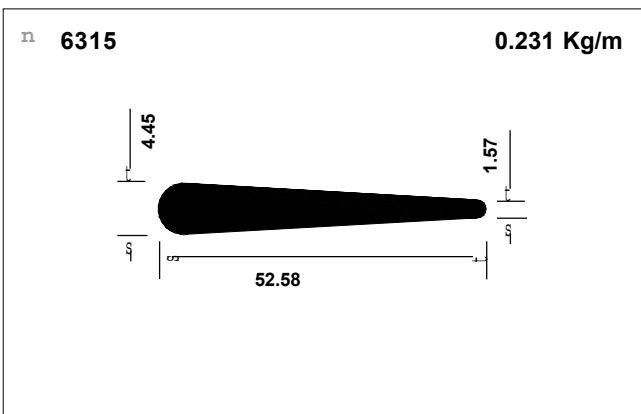
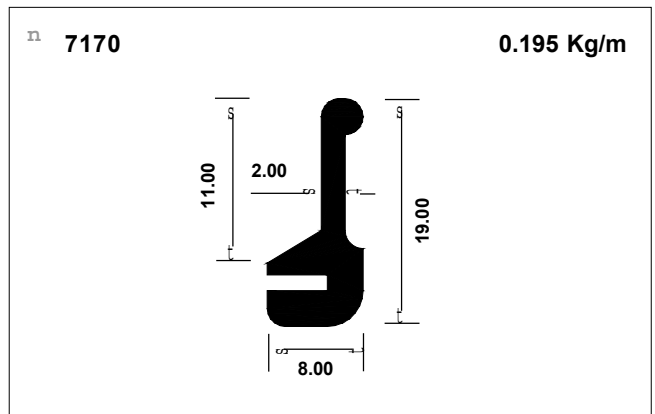
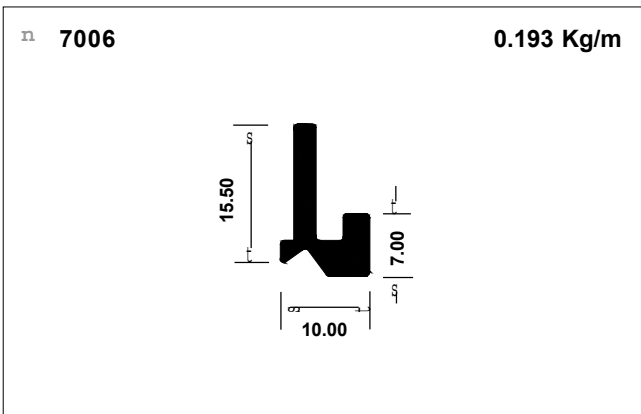
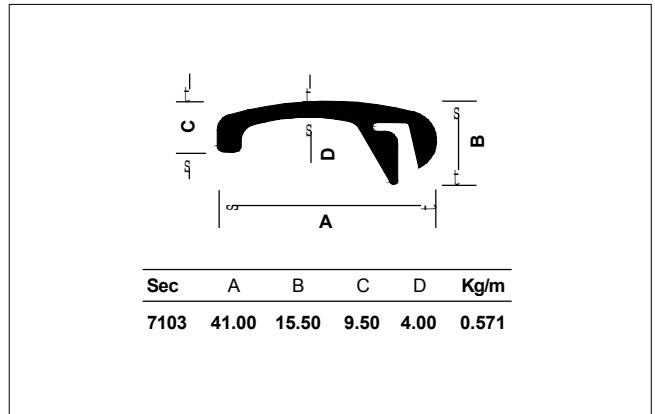
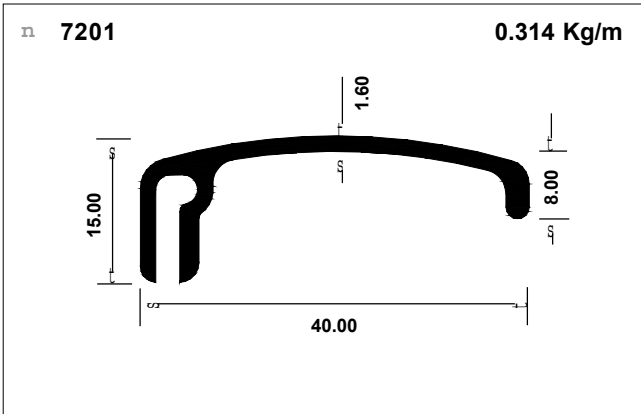
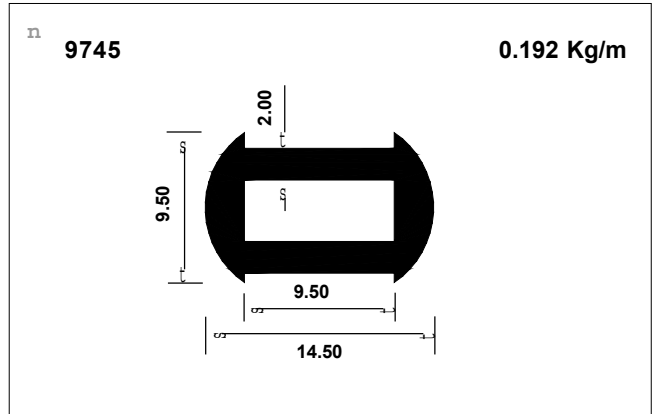
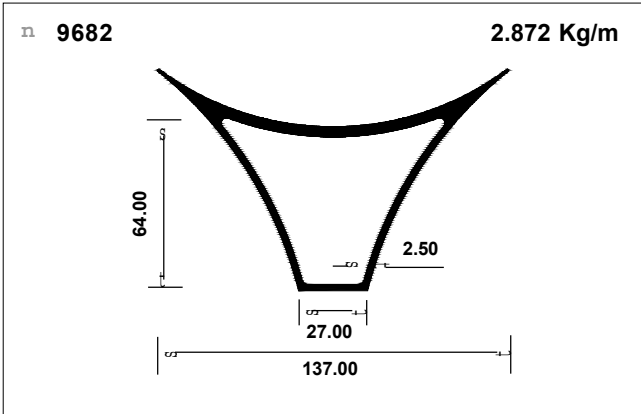
**Luggage**



Luggage



**Tennis racket & Tea tray**



**Air conditioner grill**

Sec	A	B	Kg/m
6440	22.00	2.50	0.191
4699	16.00	2.00	0.110

n 5618 0.130 Kg/m

n 4697 0.108 Kg/m

n 4698 0.093 Kg/m

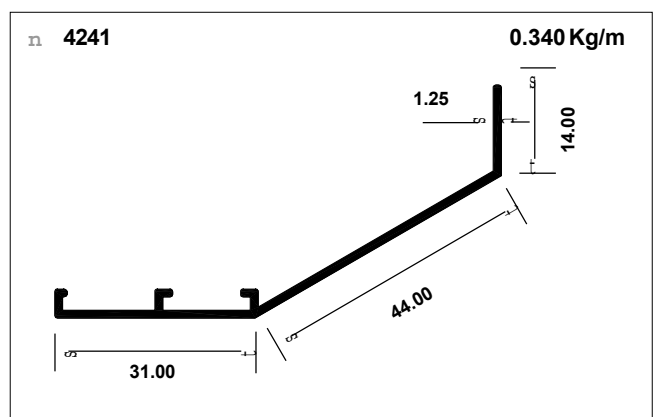
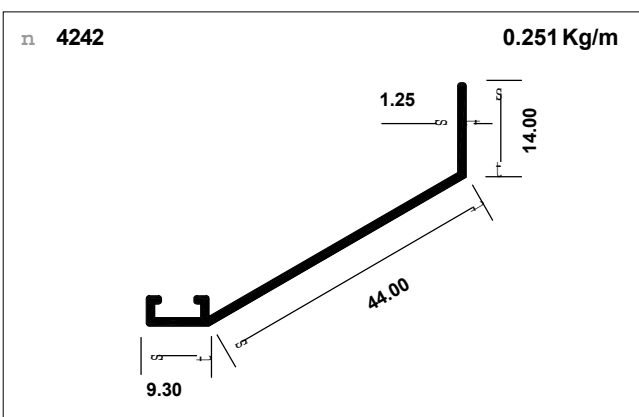
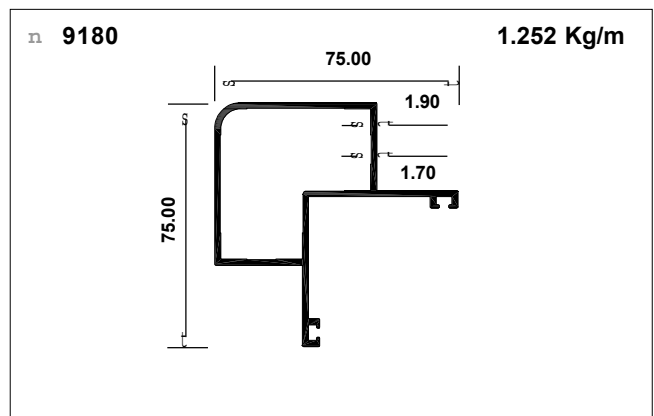
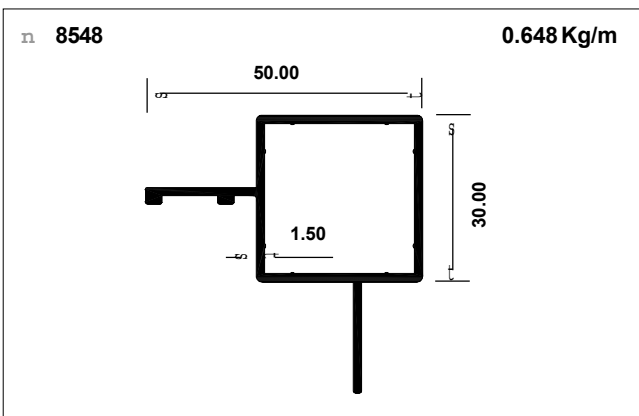
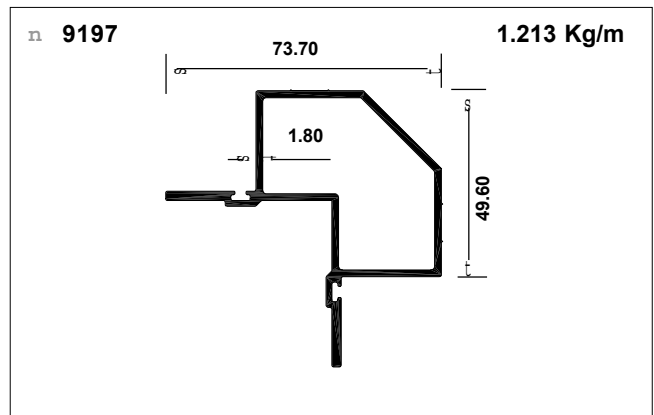
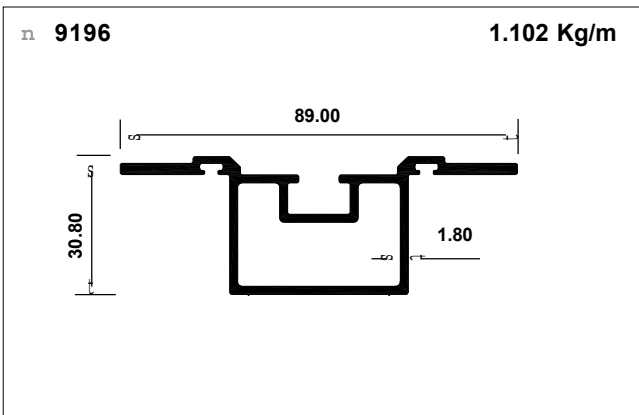
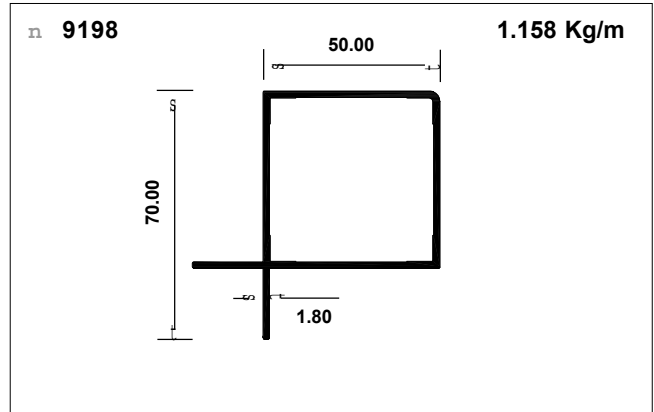
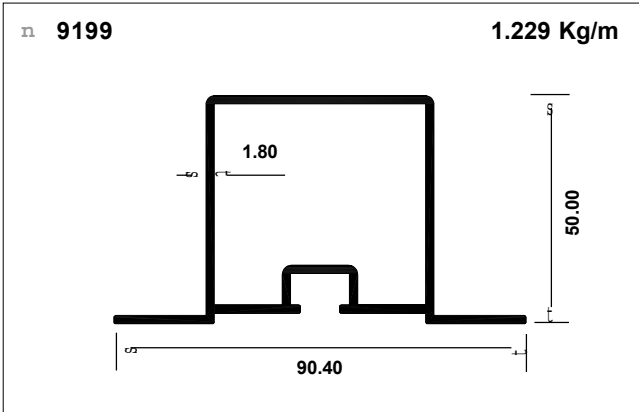
Sec	A	B	C	Kg/m
6441	22.00	5.20	2.50	0.179
5619	18.00	5.80	1.70	0.118

n 7952 1.638 Kg/m

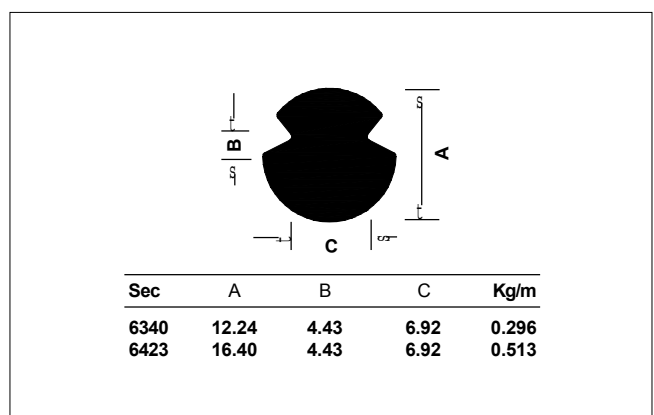
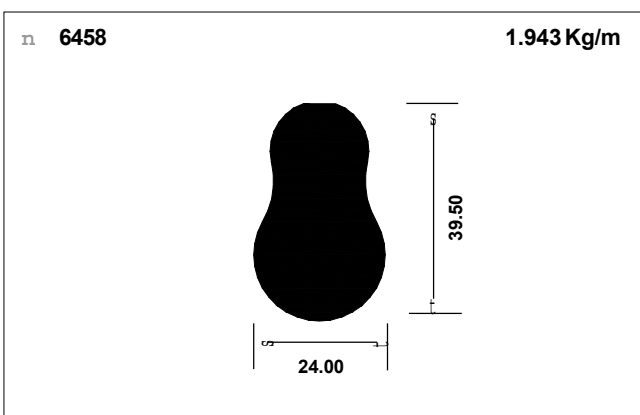
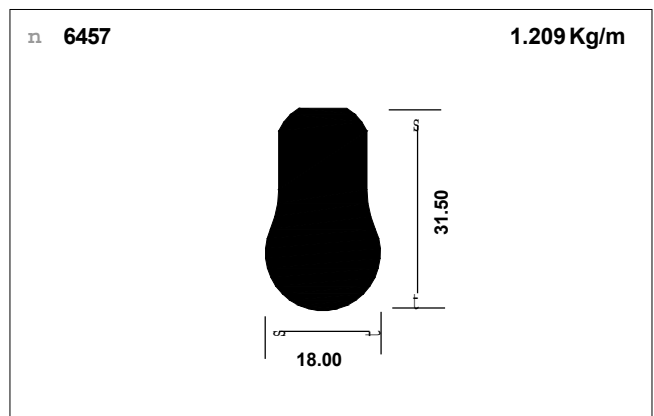
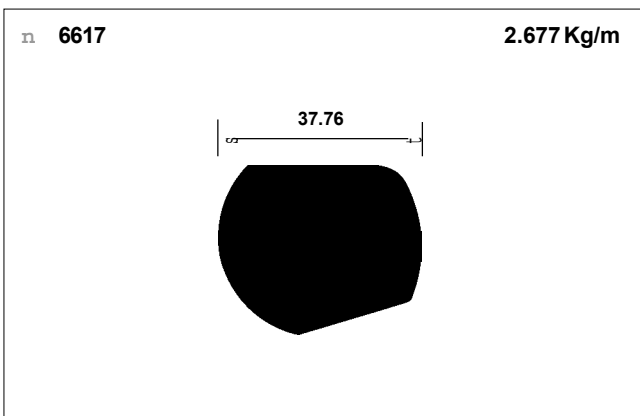
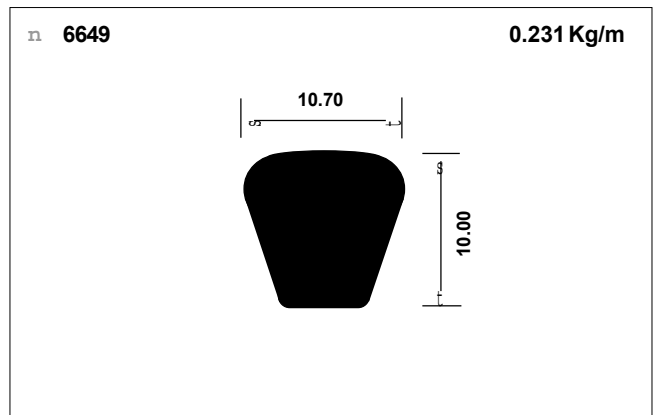
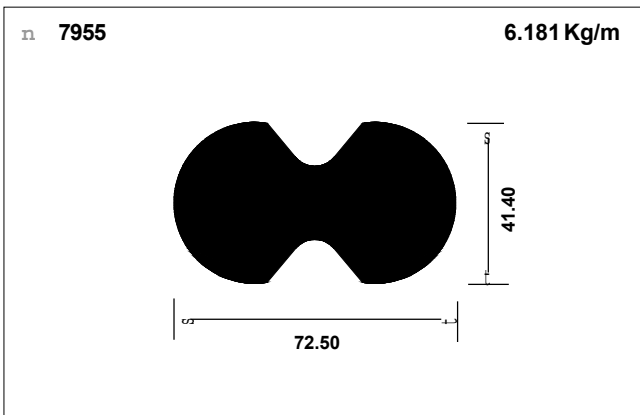
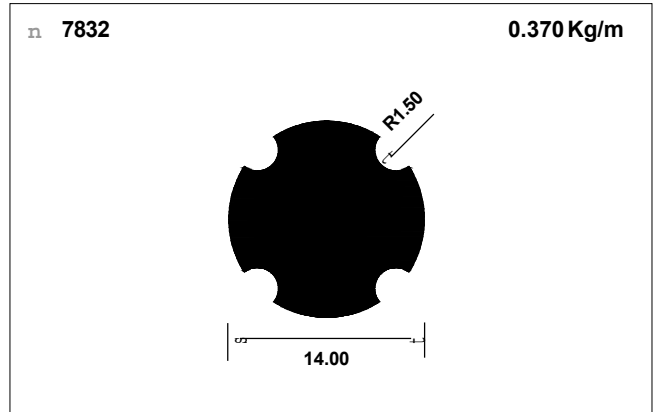
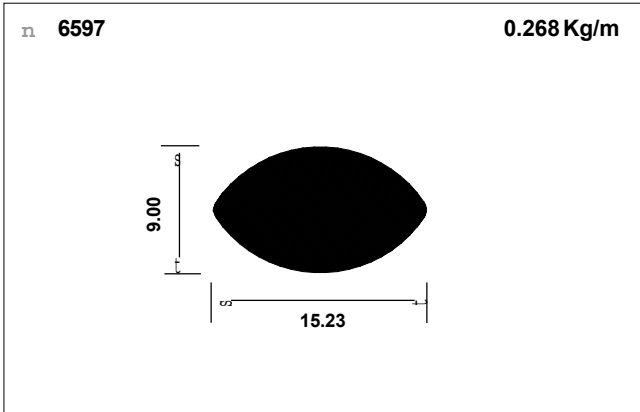
n 6472 0.229 Kg/m

n 7950 0.778 Kg/m

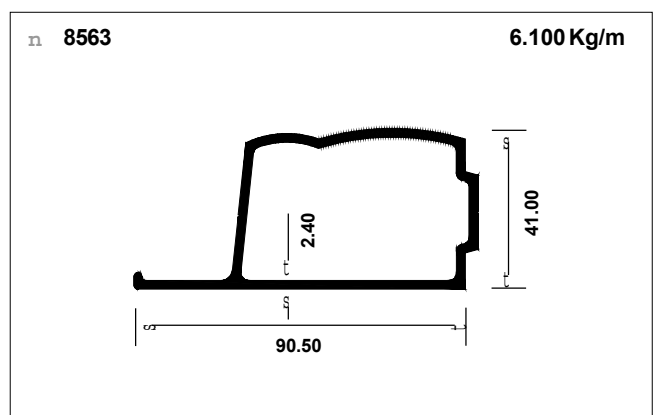
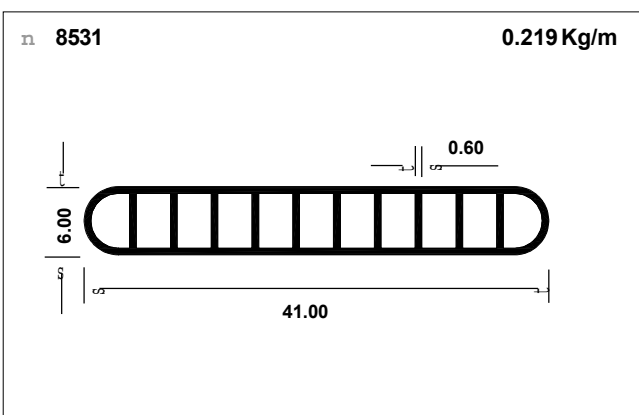
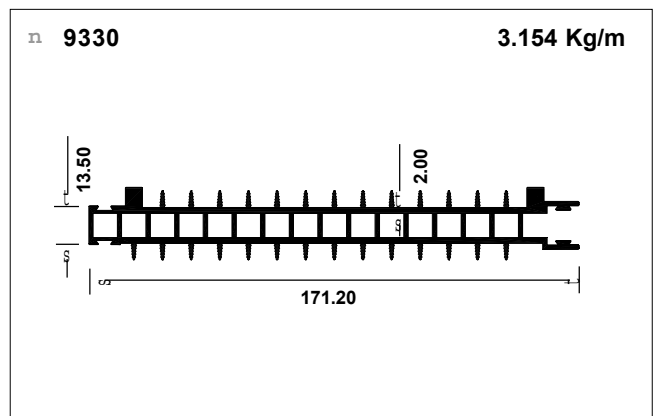
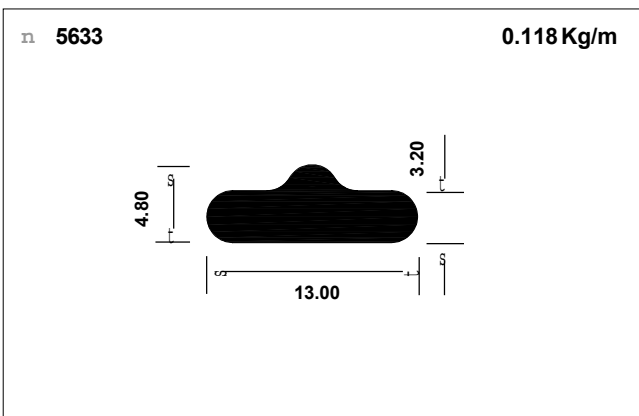
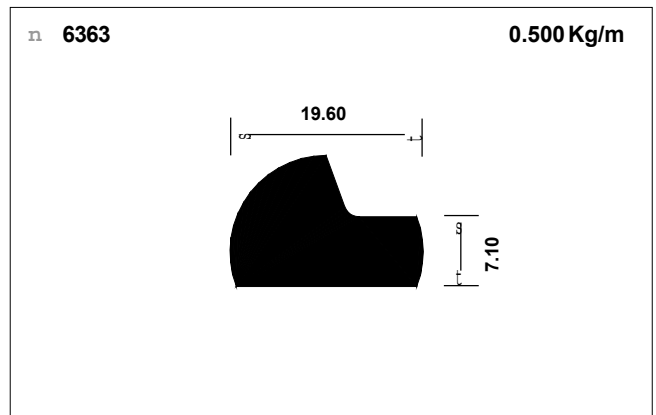
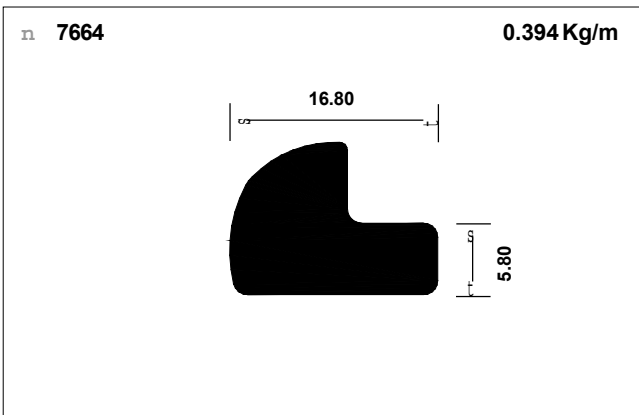
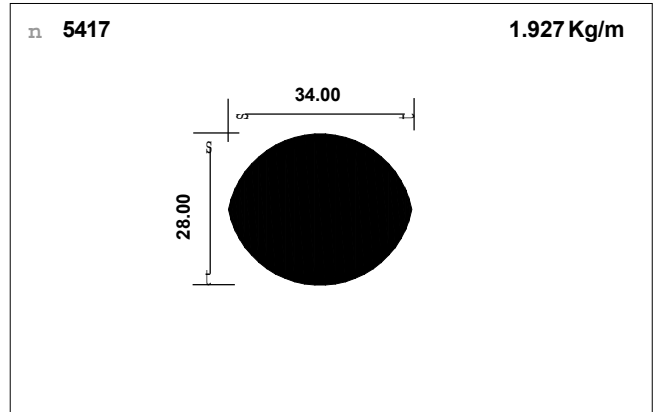
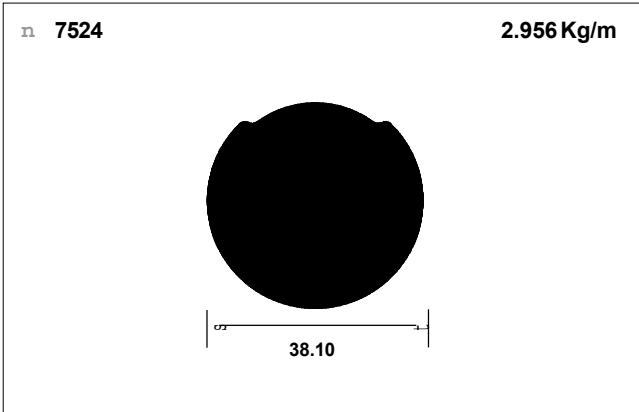
**Air conditioner panels**



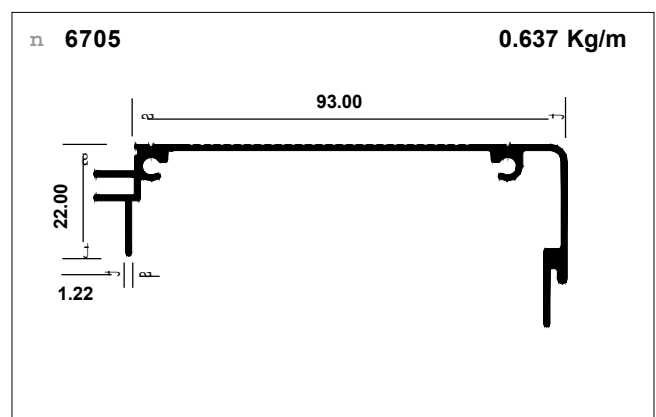
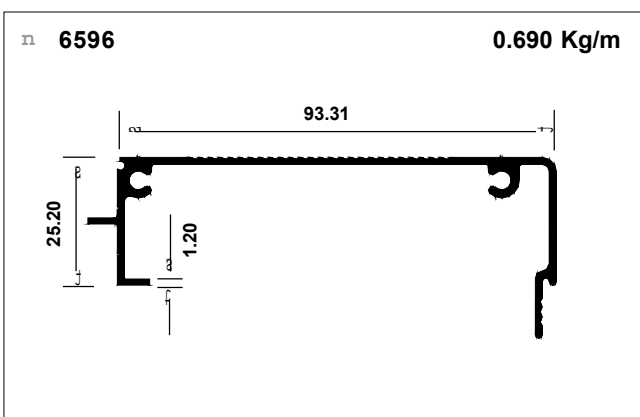
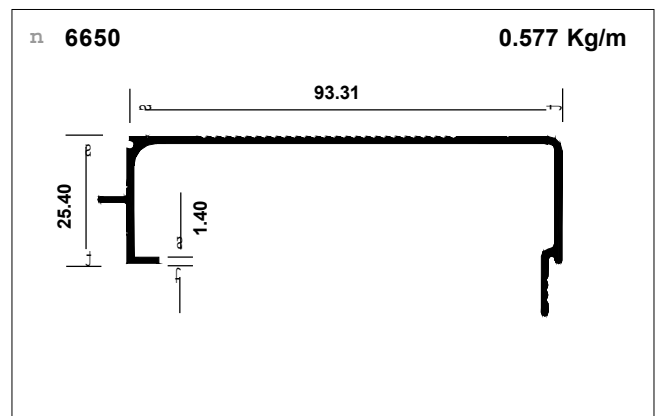
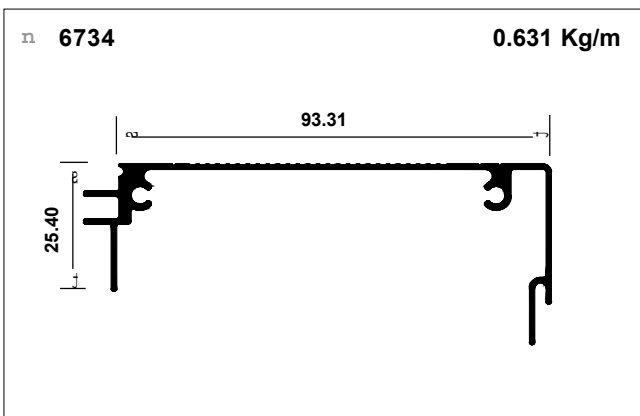
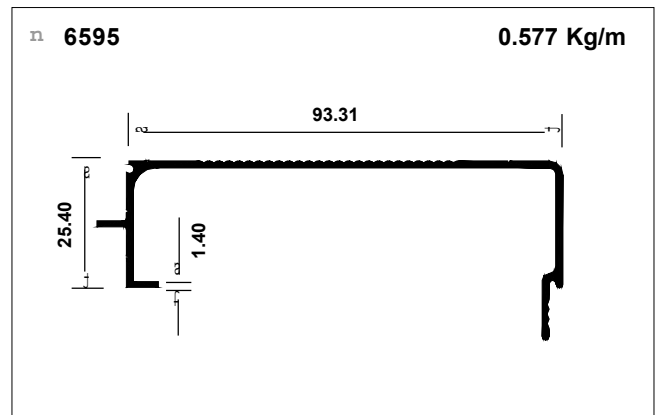
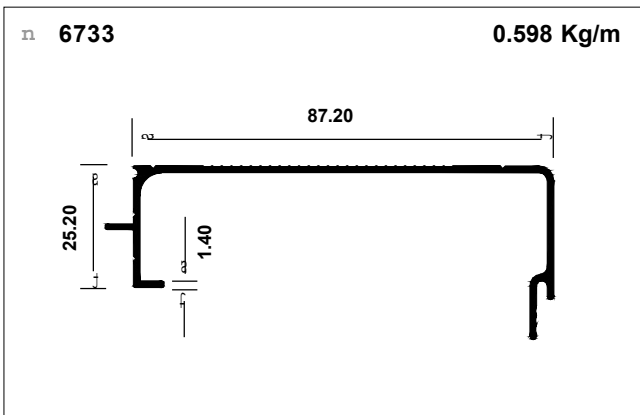
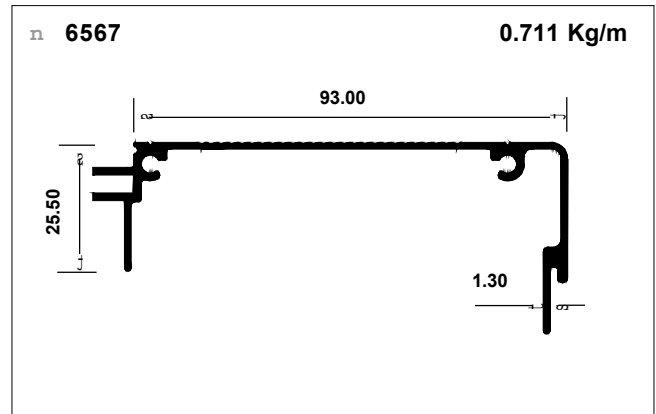
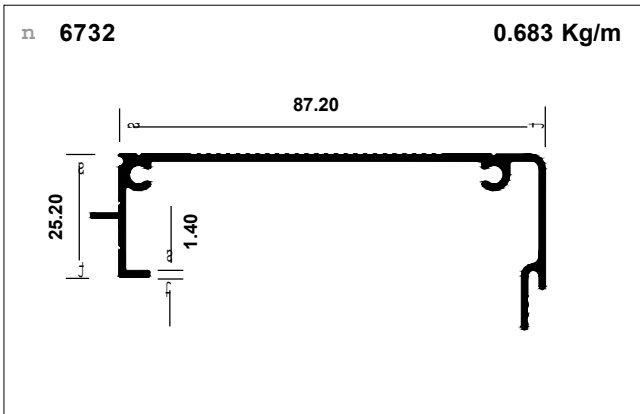
Car air conditioner



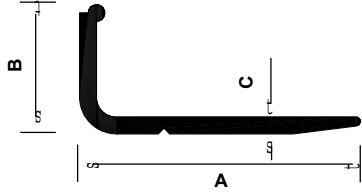
**Car air conditioner**



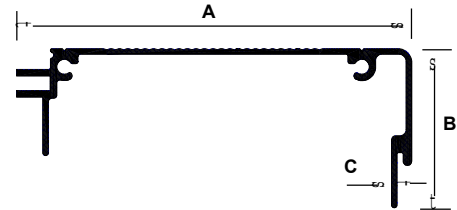
Solar panels



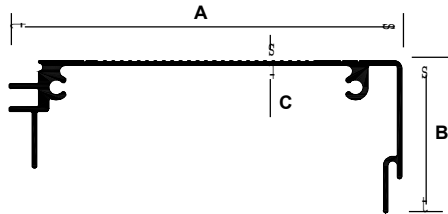
**Solar panels**



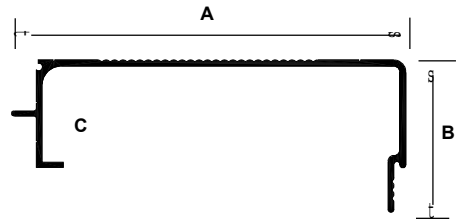
Sec	A	B	C	Kg/m
7888	25.00	11.50	1.30	0.115
7974	24.40	11.73	1.50	0.134



Sec	A	B	C	Kg/m
6783	93.00	37.50	1.20	0.661
6796	93.00	36.00	1.10	0.589



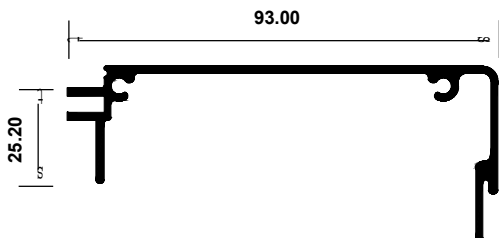
Sec	A	B	C	Kg/m
7975	93.31	36.00	1.25	0.684



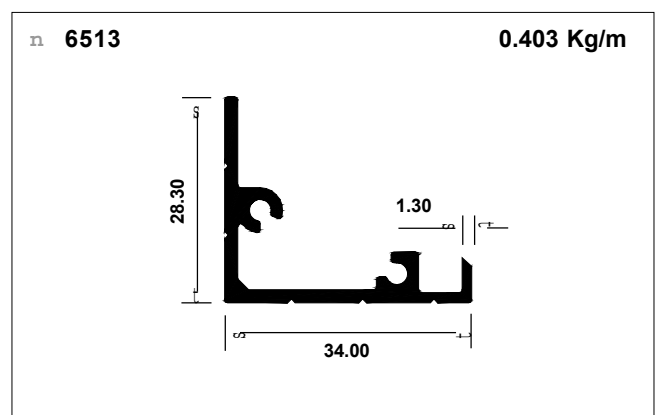
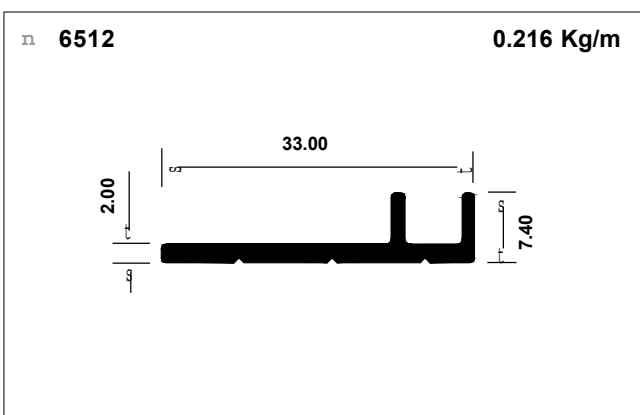
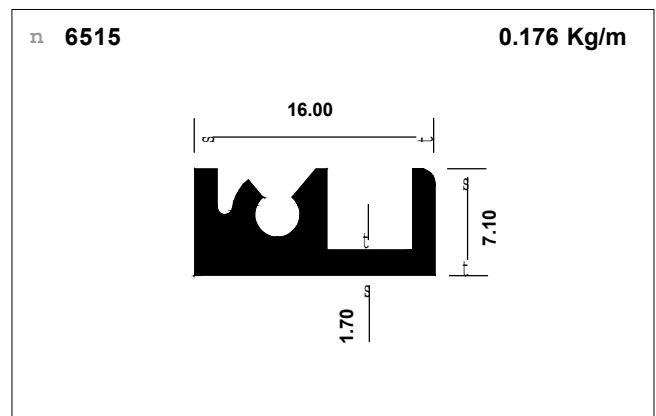
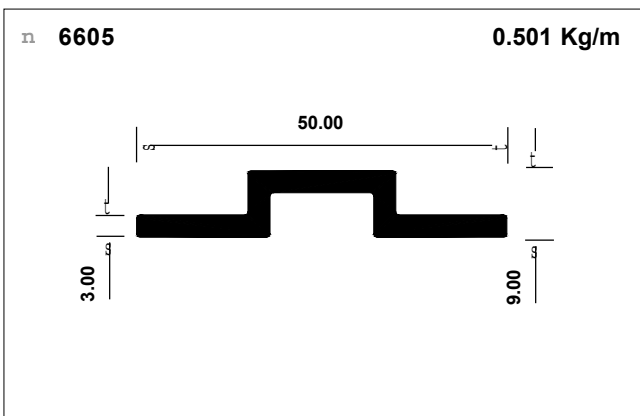
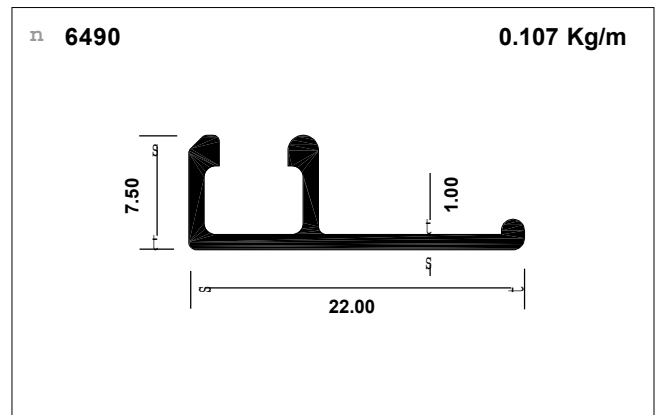
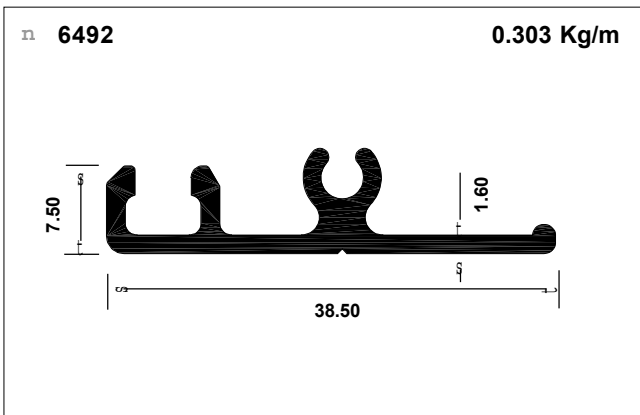
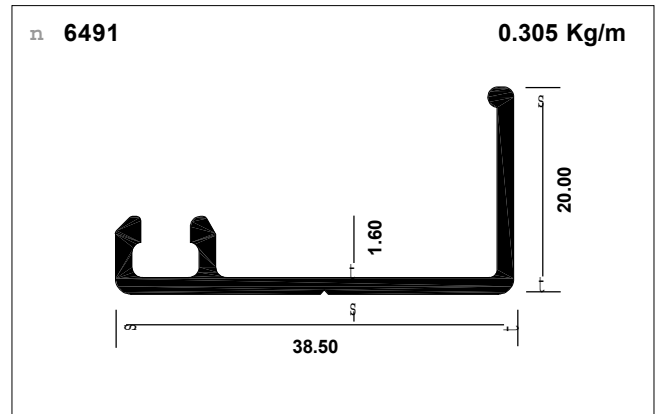
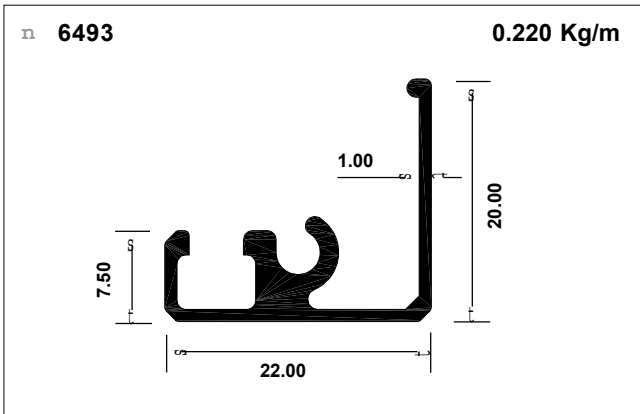
Sec	A	B	C	Kg/m
6782	93.25	25.40	1.20	0.510

n 7886

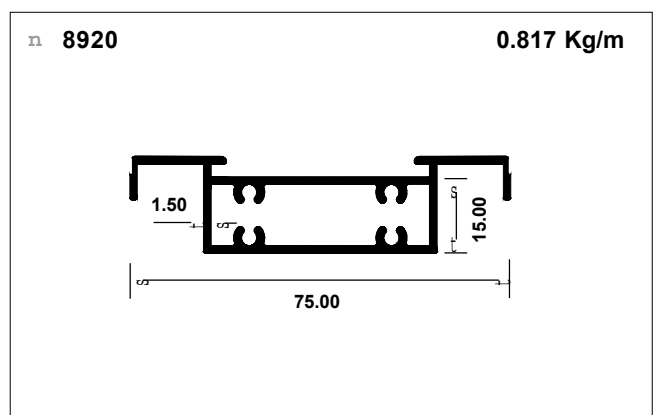
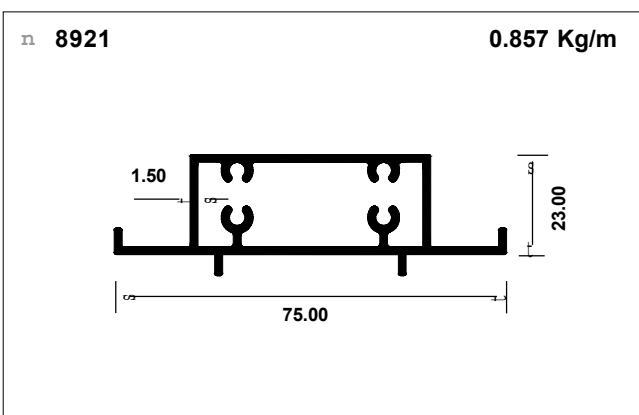
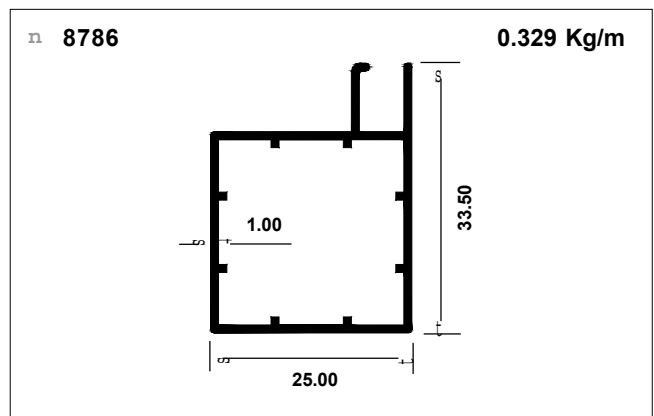
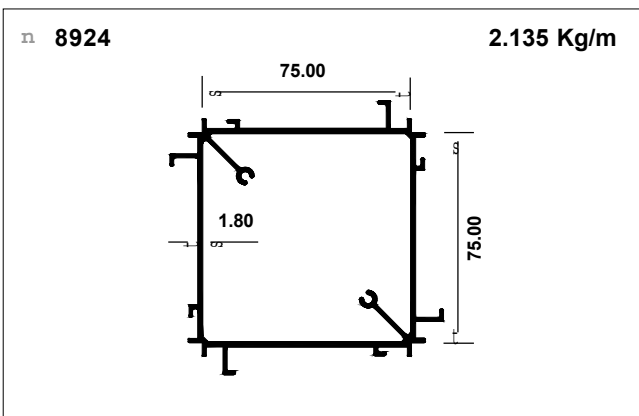
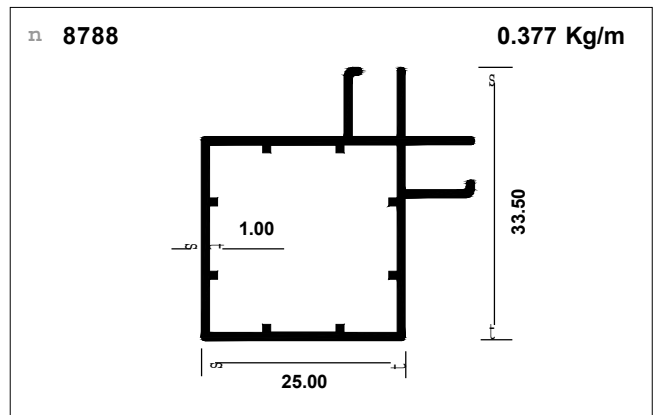
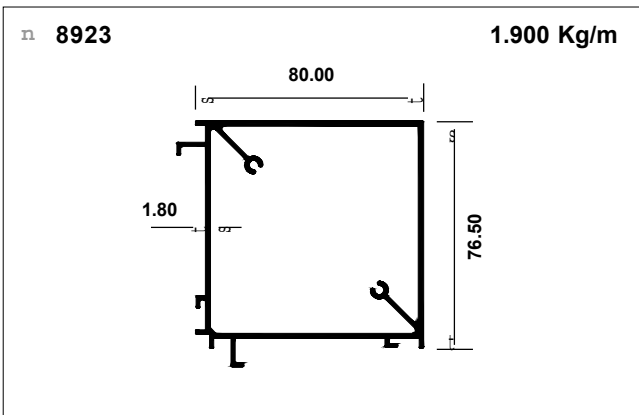
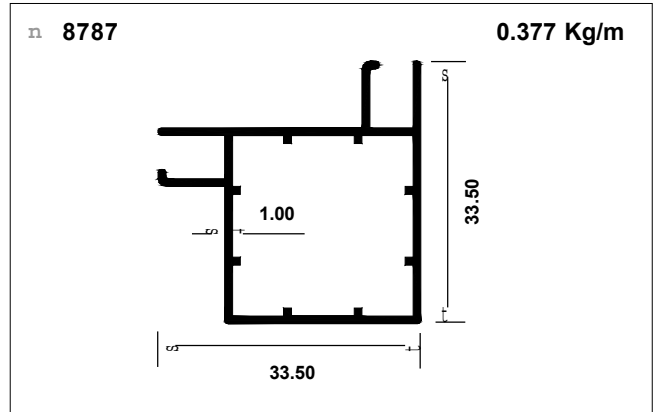
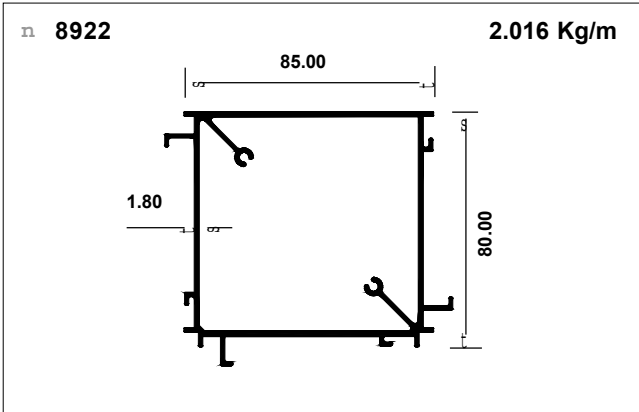
0.808 Kg/m



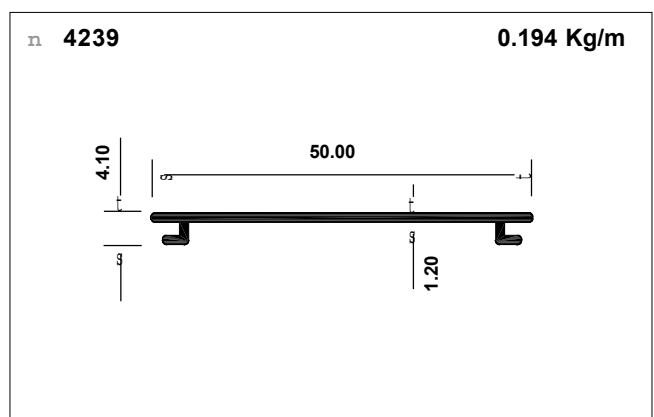
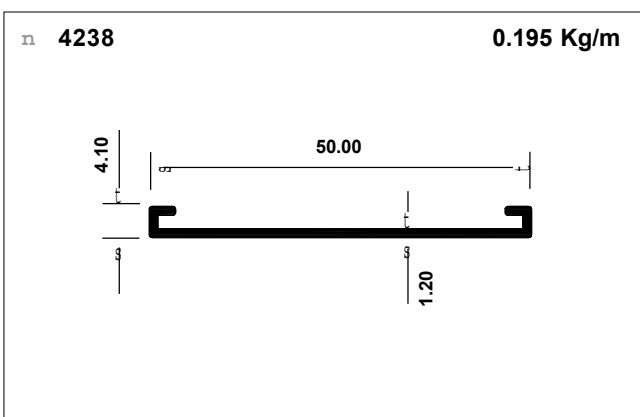
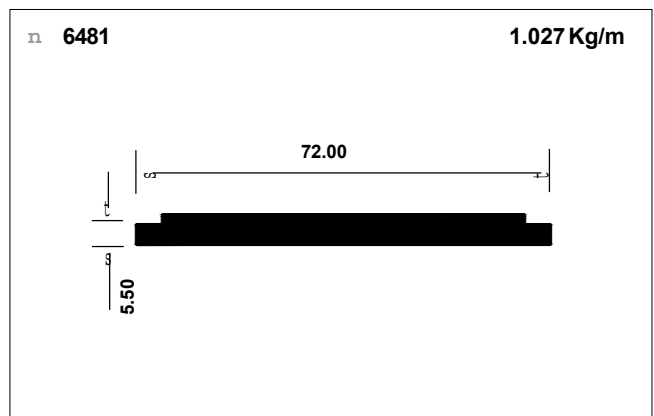
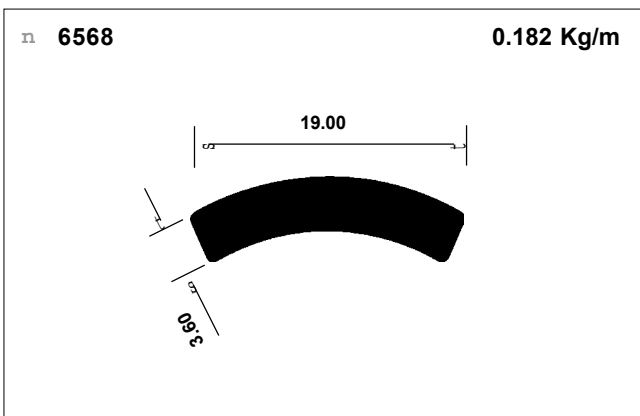
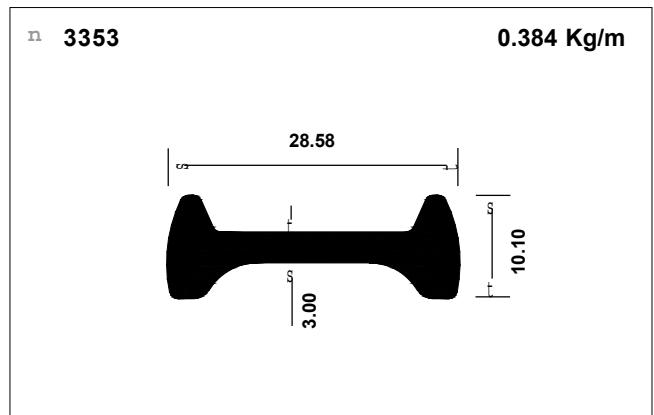
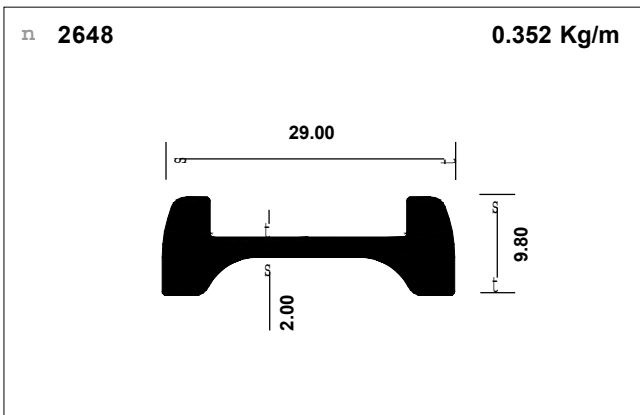
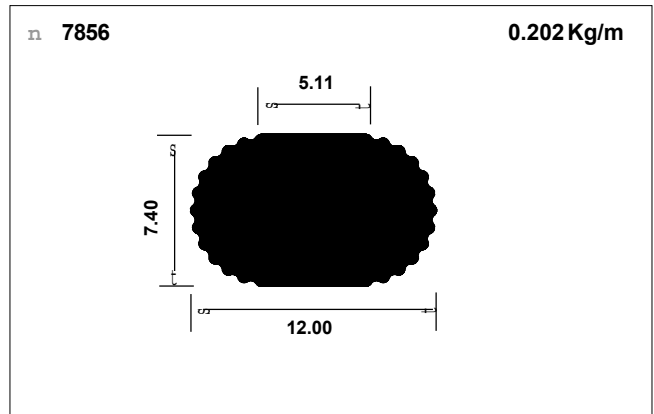
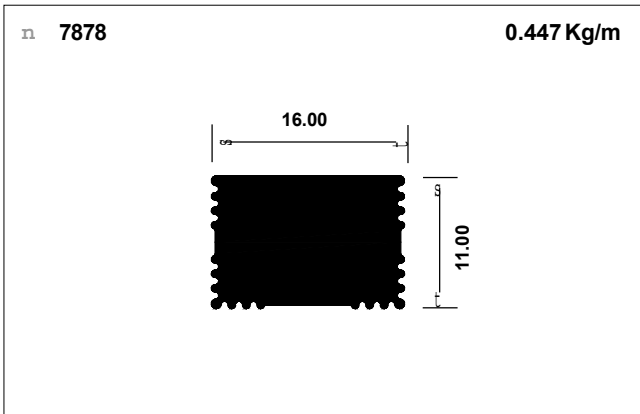
Solar panels



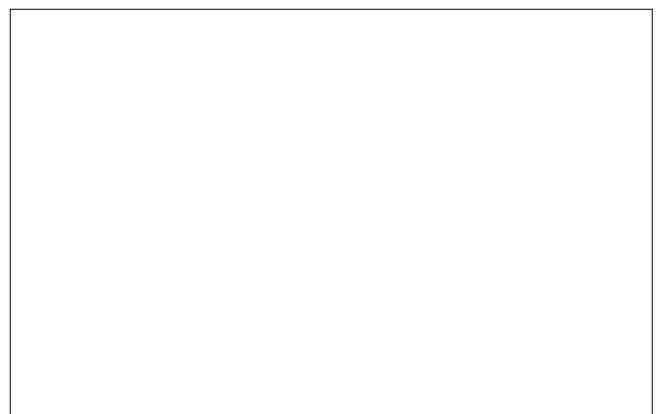
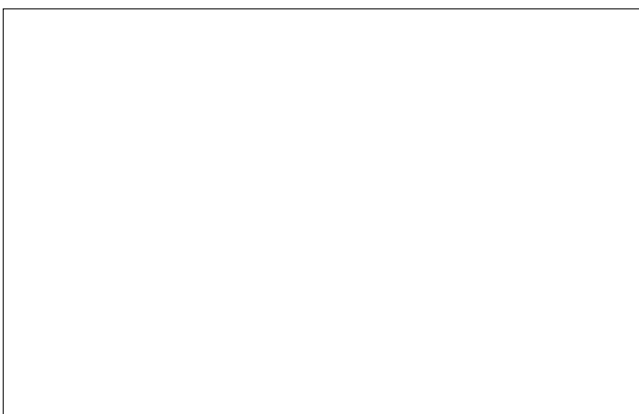
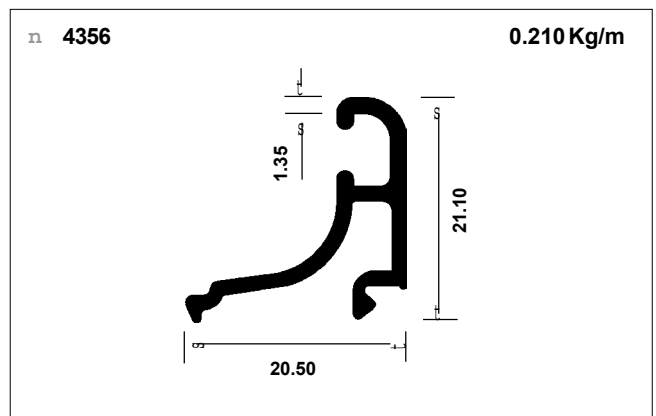
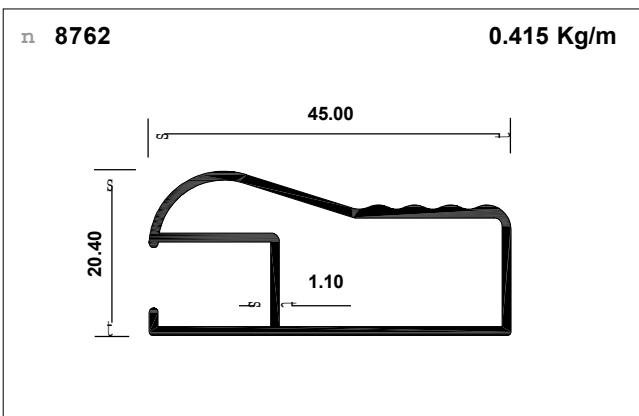
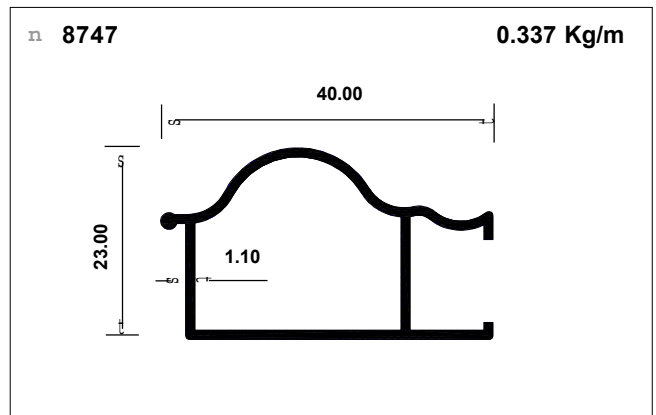
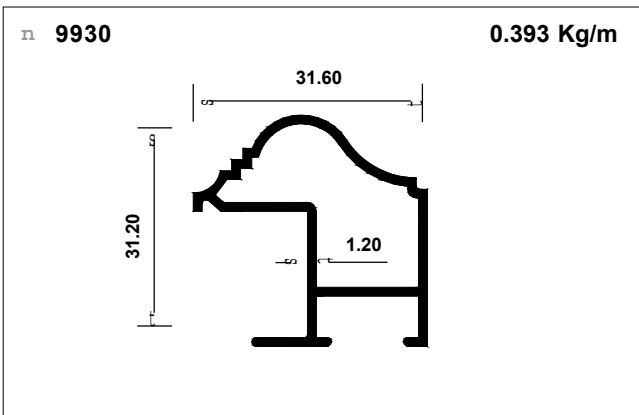
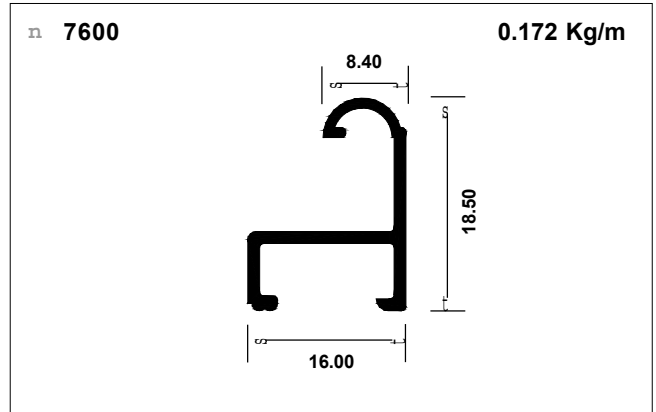
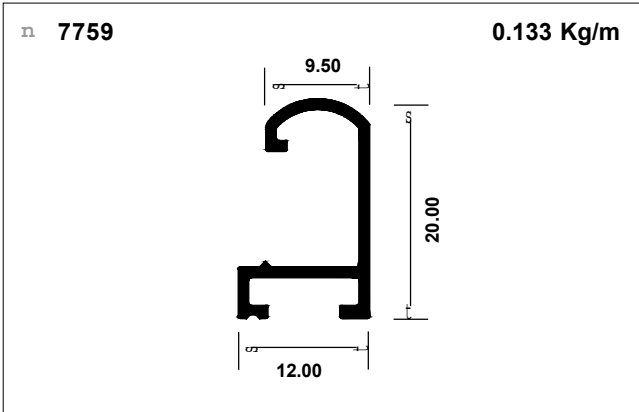
**Furniture**



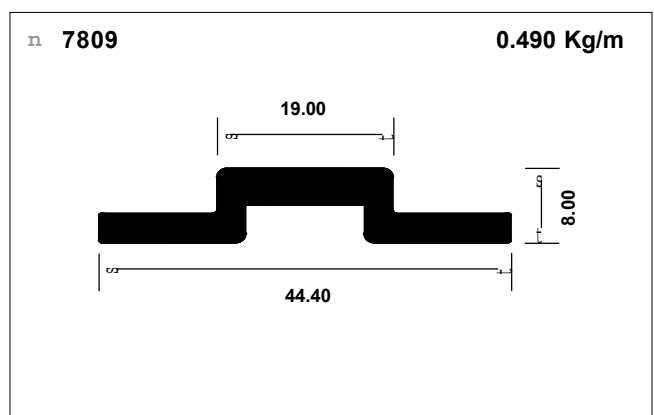
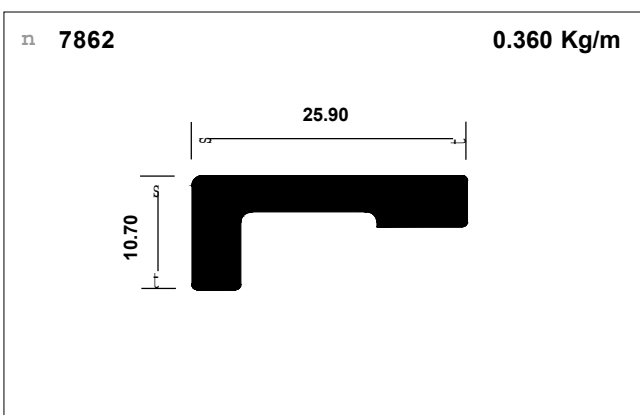
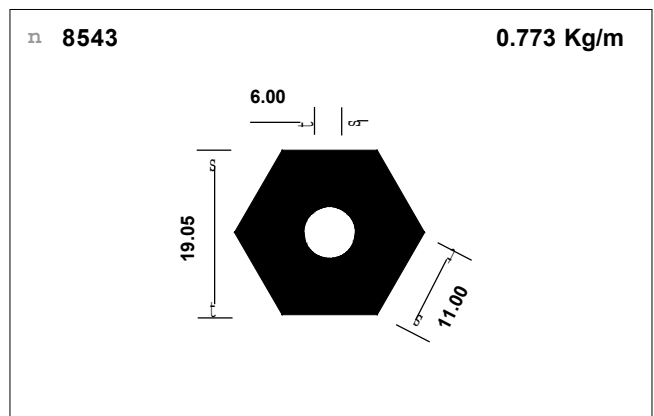
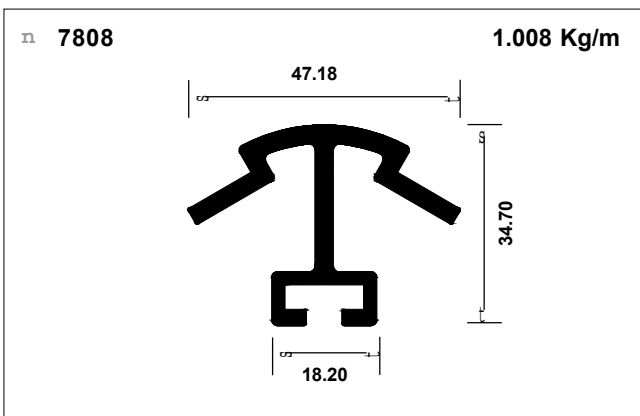
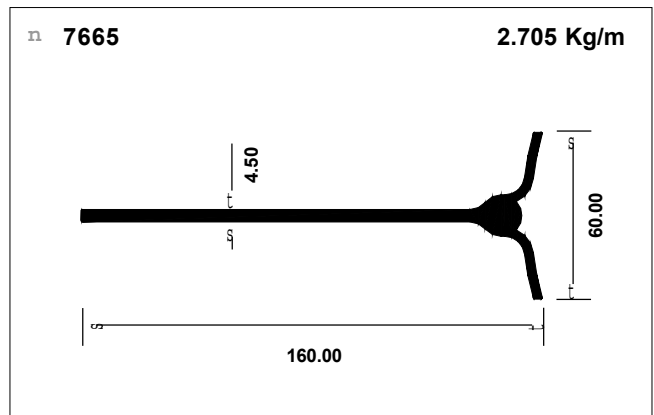
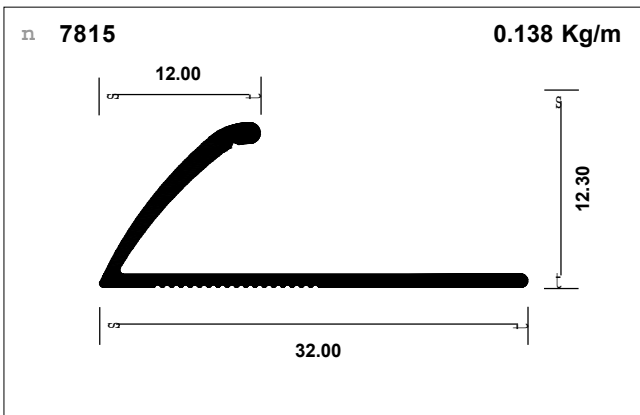
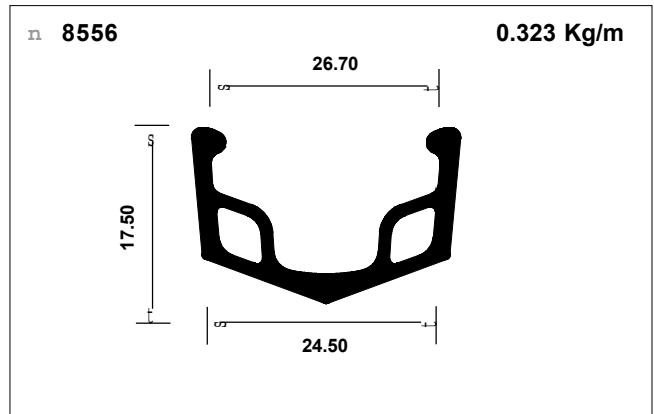
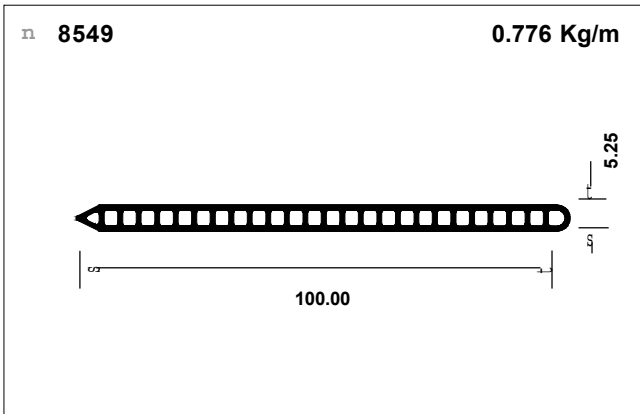
Miscellaneous



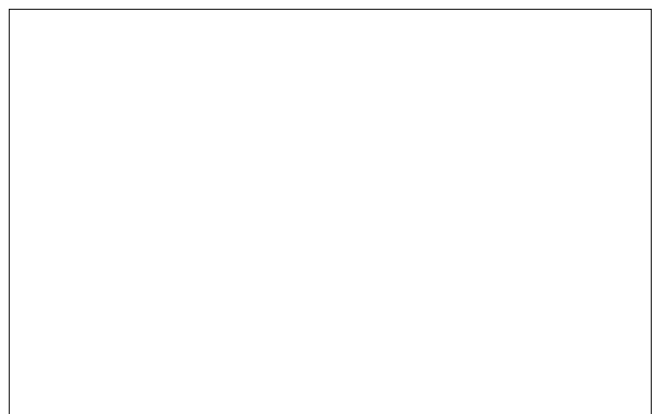
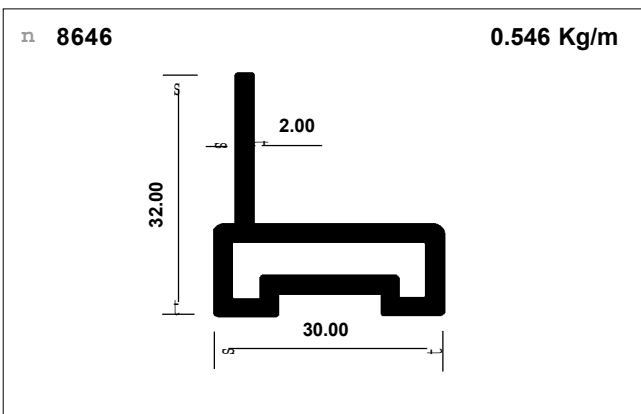
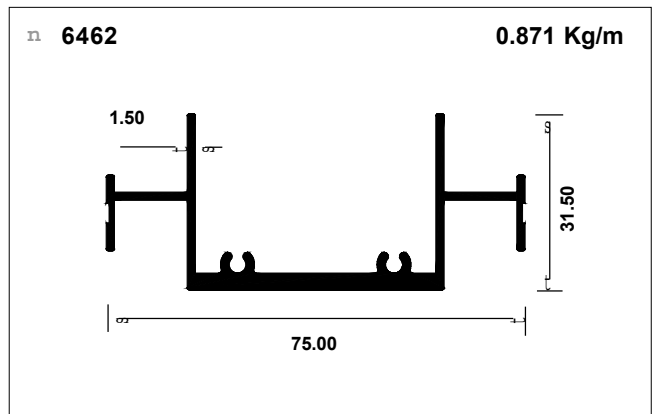
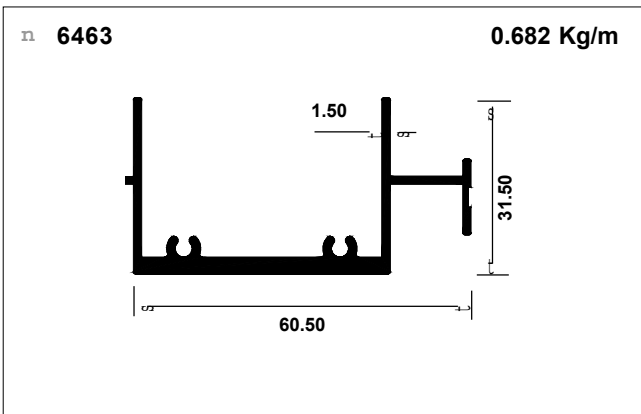
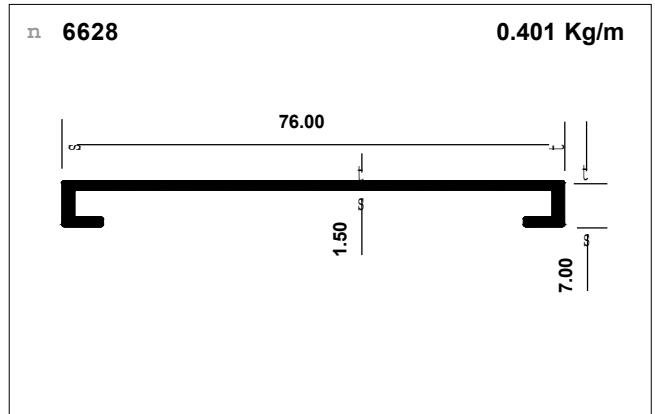
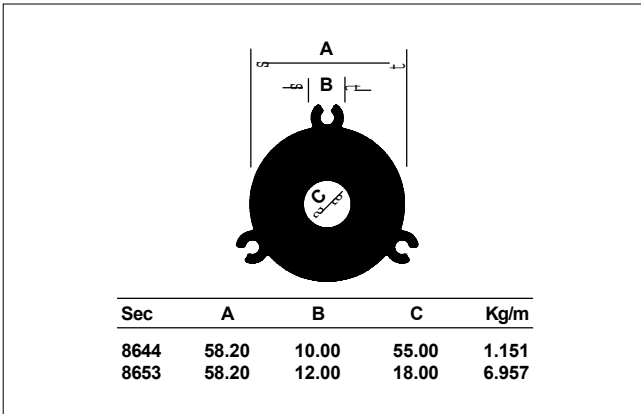
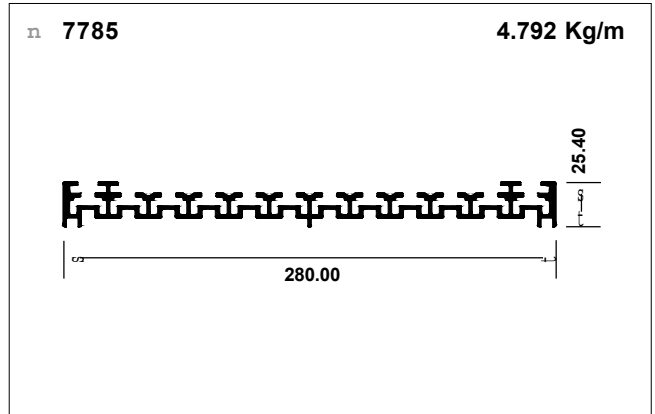
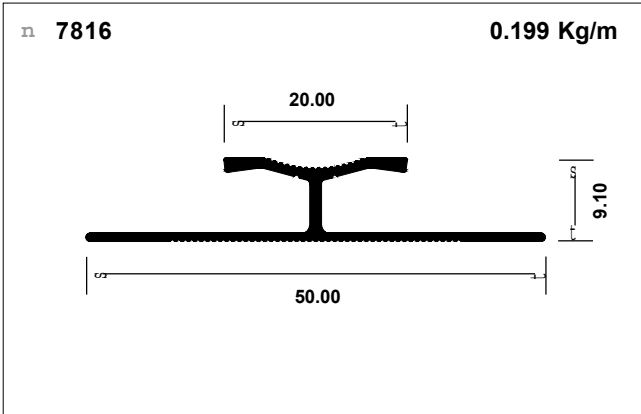
**Photo Frames**



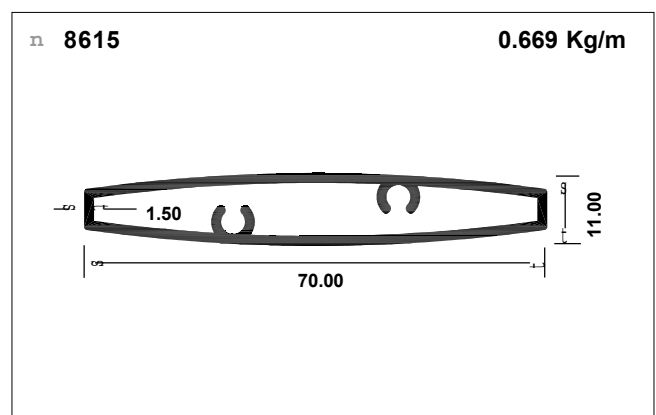
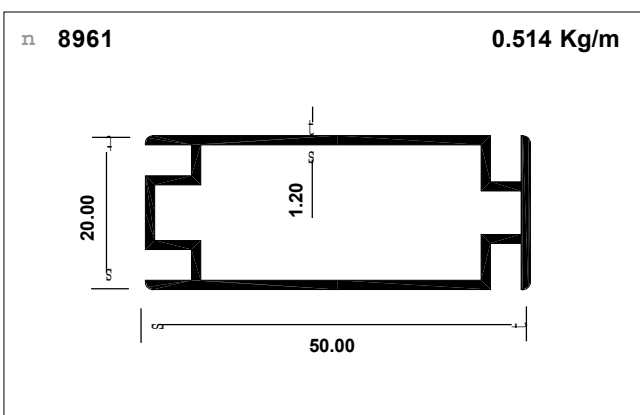
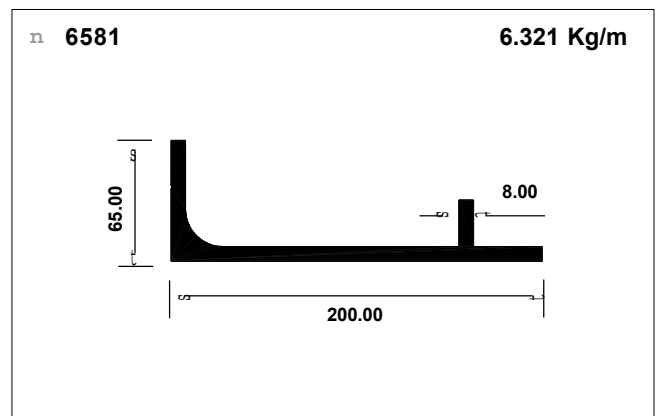
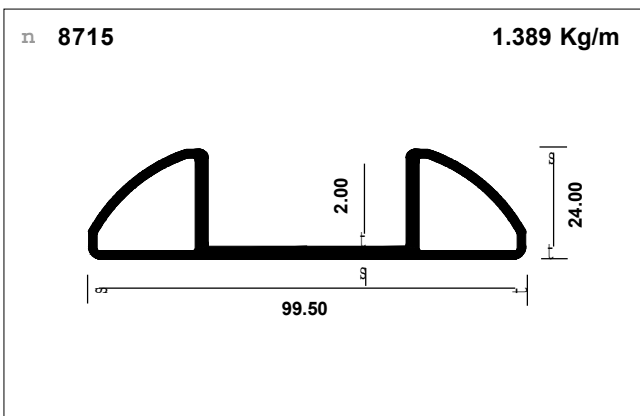
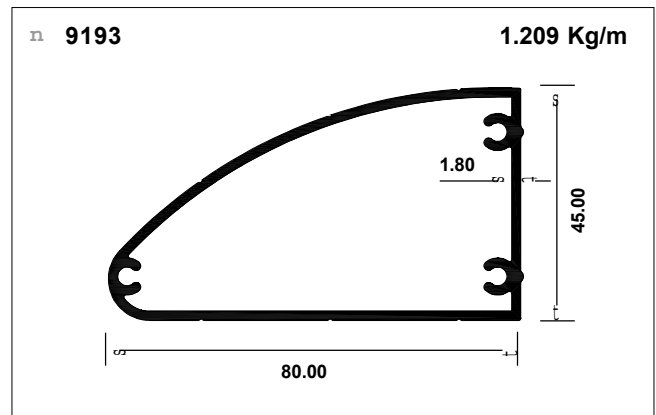
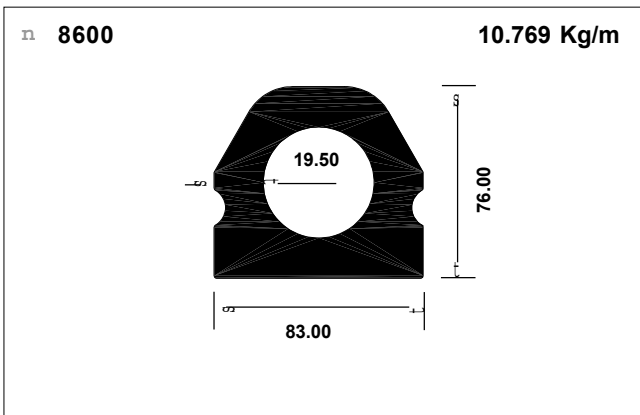
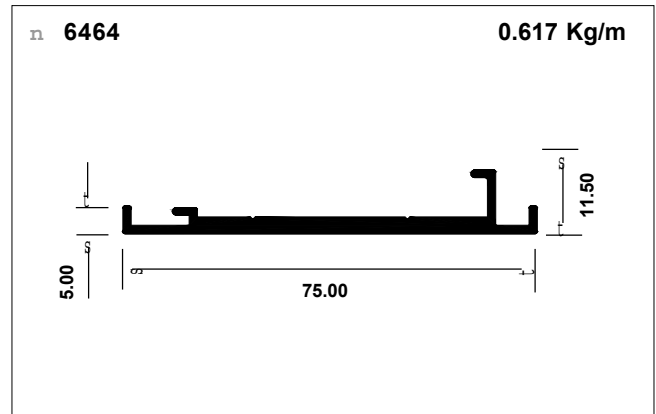
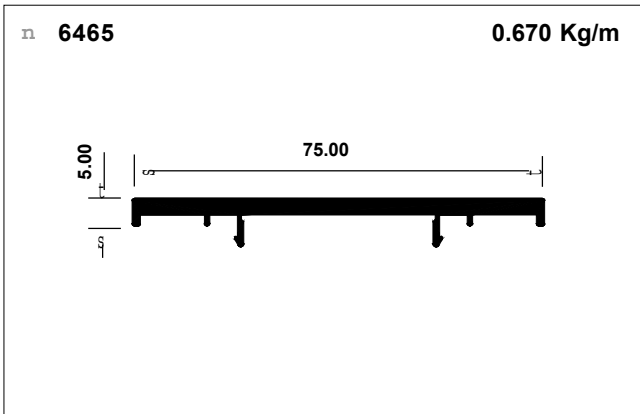
Miscellaneous



**Miscellaneous**



Miscellaneous



**Miscellaneous**

